

# PRODUCT CATALOGUE

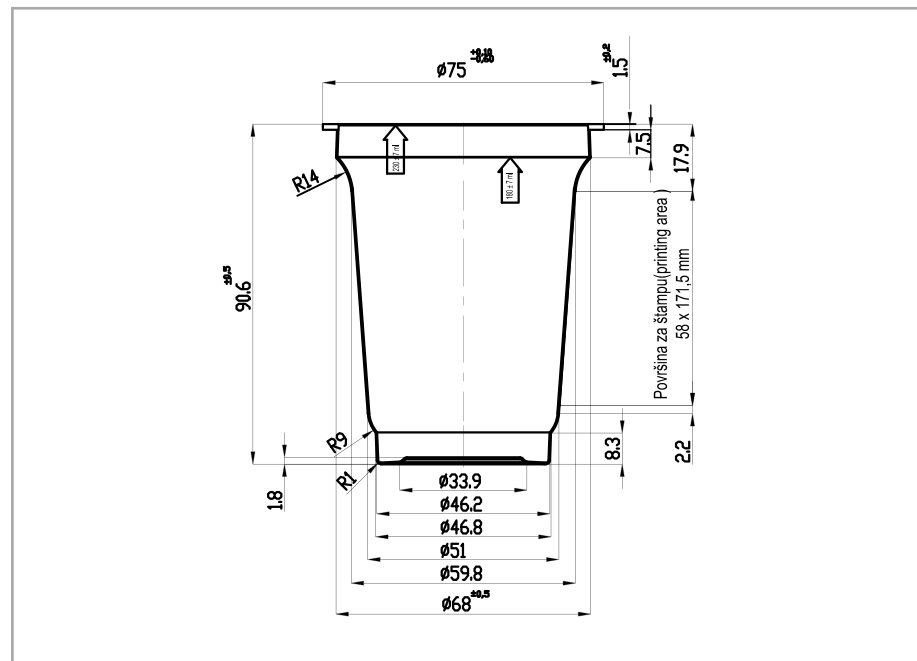
Plastic cups, lids and overlids for sour-dairy product packaging

2024 © All rights reserved

Art. 101 PS



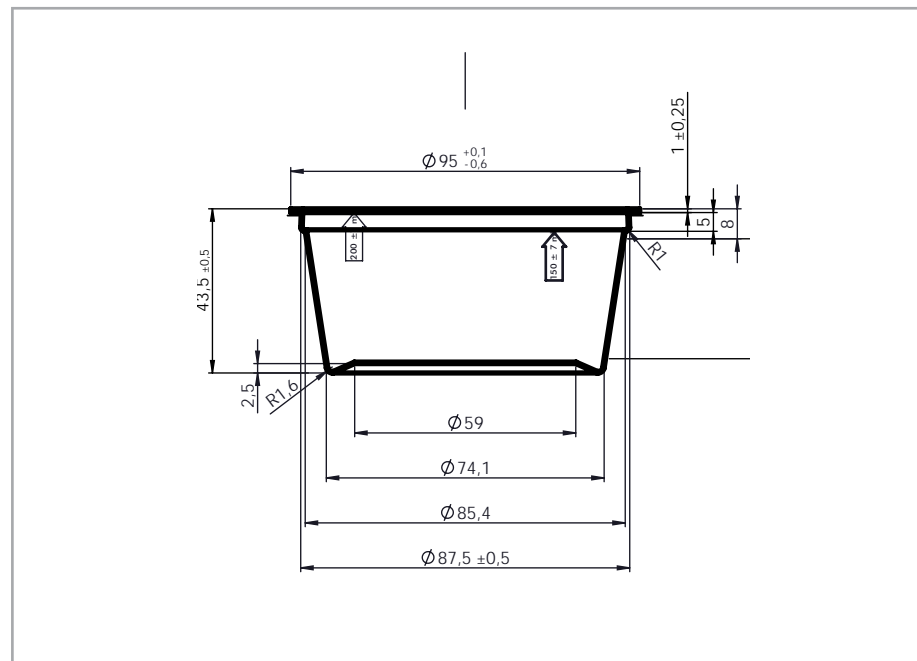
<b>FEATURES</b>	Shape	Round	
	Volume brimful	230 ml	± 7 ml
	Volume under lid	180 ml	± 7 ml
	Height without lid	90.6 mm	± 0,5 mm
	Max.burden on the cup	70 N	
	Diameter	Ø 75	
<b>WEIGHT</b>	Cup	6.0 g	± 0,30 g
<b>DECORATION</b>	Cup	YES	Dry Offset
		NO	PVC sleeve
<b>PACKING</b>	Pallet: 1. dimension	1200x800	
	2. weight	180 kg	
	3. height	200 cm	
	Pcs/pallet:	25200	
	Pcs/full truck (33 pall):	831.600	



Art. 102 PS; Art. 102-1 PS



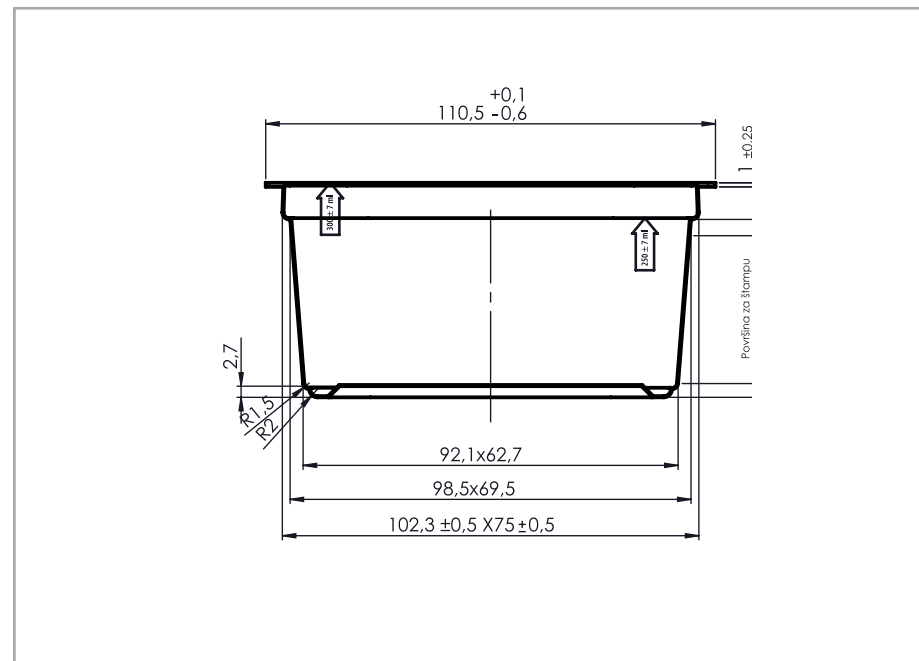
<b>FEATURES</b>	Shape	Round	
	Volume brimful	200 ml	± 7 ml
	Volume under lid	150 ml	± 7 ml
	Height without lid	43.5 mm	± 0,5 mm
	Max.burden on the cup	70 N	
	Diameter	Ø 95	
<b>WEIGHT</b>	Cup 102	7.5 g	± 0,40 g
	Cup 102-1	9.0 g	± 0,40 g
<b>DECORATION</b>	Cup	YES	Dry Offset
		NO	PVC sleeve
<b>PACKING</b>	Pallet: 1. dimension		1200x800
	2. weight		233 kg
	3. height		200 cm
	Pcs/pallet:		27360
	Pcs/full truck (33 pall):		902.880



# Art. 103 PS Rectangular



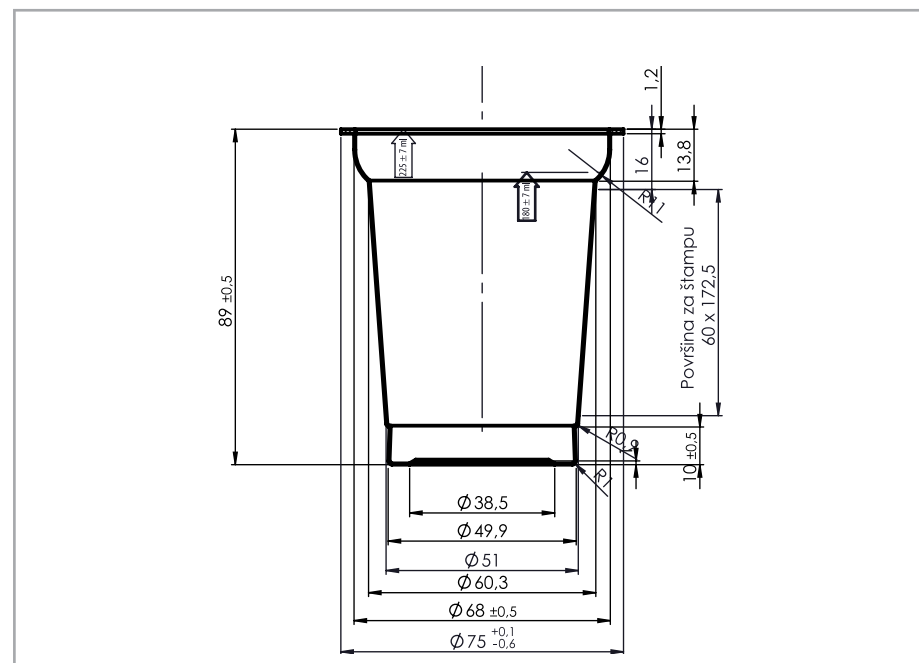
<b>FEATURES</b>	Shape	Rectangular	
	Volume brimful	300 ml ± 7 ml	
	Volume under lid	250 ml ± 7 ml	
	Height without lid	52.7 mm ± 0,5 mm	
	Max.burden on the cup	70 N	
	Dimension	110x83 mm	
<b>WEIGHT</b>	Cup	9.3 g ± 0,40 g	
<b>DECORATION</b>		YES	Dry Offset
		NO	PVC sleeve
<b>PACKING</b>	Pallet: 1. dimension	1200x800	
	2. weight	176 kg	
	3. height	200 cm	
	Pcs/pallet:	15372	
	Pcs/full truck (33 pall):	507.276	



Art. 104 PS



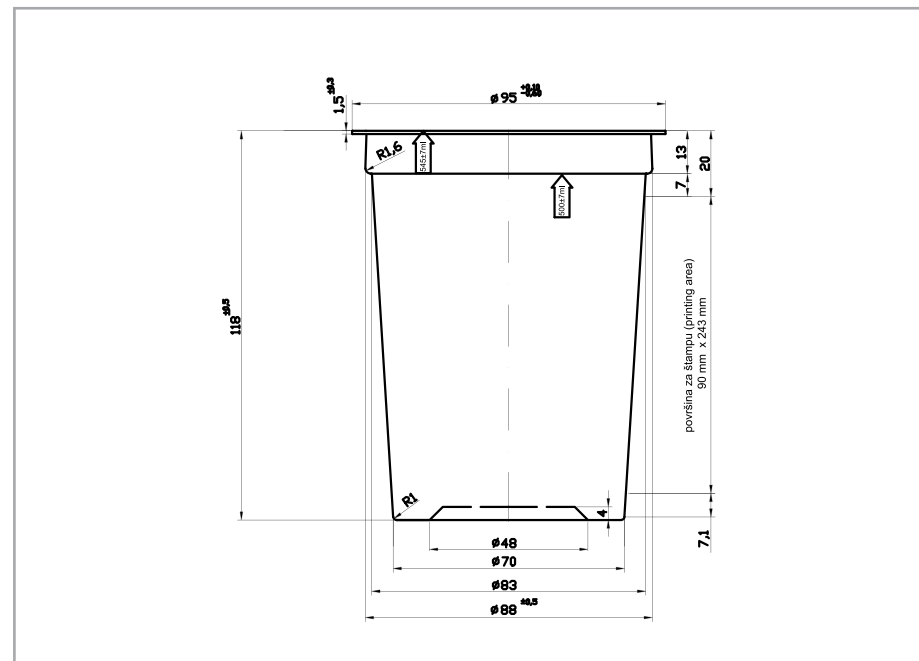
<b>FEATURES</b>	Shape	Round	
	Volume brimful	225 ml	± 7 ml
	Volume under lid	180 ml	± 7 ml
	Height without lid	89.0 mm	± 0,5 mm
	Max.burden on the cup	70 N	
	Dimension	Ø 75 mm	
<b>WEIGHT</b>	Cup	7.0 g	± 0,30 g
<b>DECORATION</b>	Cup	YES	Dry Offset
		NO	PVC sleeve
<b>PACKING</b>	Pallet: 1. dimension	1200x800	
	2. weight	193 kg	
	3. height	200 cm	
	Pcs/pallet:	22950	
	Pcs/full truck (33 pall):	757.350	



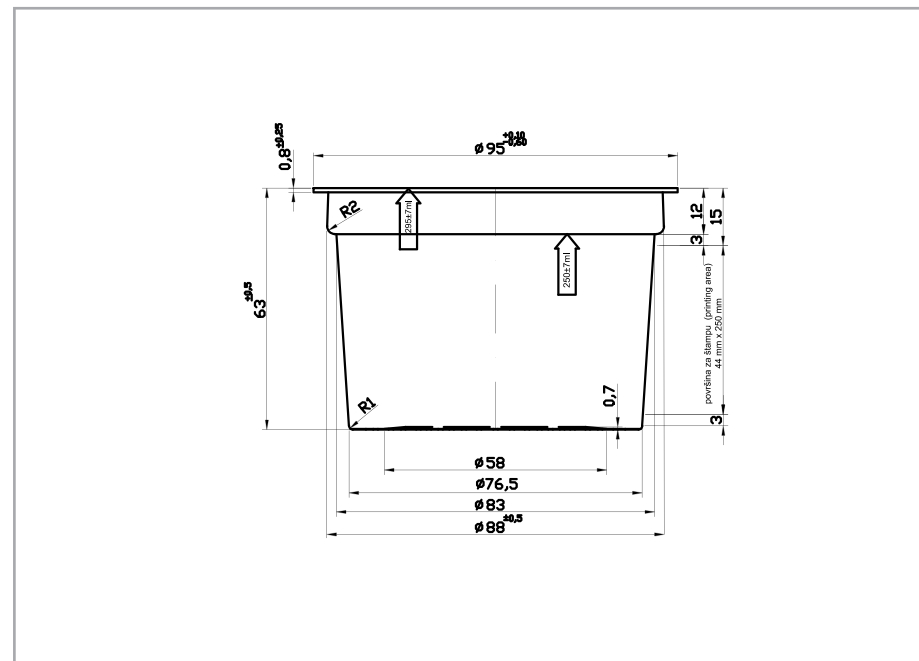
Art. 105-1 PS; Art.105-7 PS; Art-105-2 PS



<b>FEATURES</b>	Shape	Round
	Volume brimful	545 ml ± 7 ml
	Volume under lid	500 ml ± 7 ml
	Height without lid	118.0 mm ± 0,5 mm
	Max.burden on the cup	70 N
Dimension	Ø 95 mm	
<b>WEIGHT</b>	Cup 105-1, 105-7	13.0 g ± 0,50 g
	Cup 105-2	13.9 g ± 0,50 g
<b>DECORATION</b>	Cup	YES Dry Offset NO PVC sleeve
<b>PACKING</b>	Pallet: 1. dimension	1200x800
	2. weight	184 kg
	3. height	200 cm
	Pcs/pallet:	11520
	Pcs/full truck (33 pall):	380.160



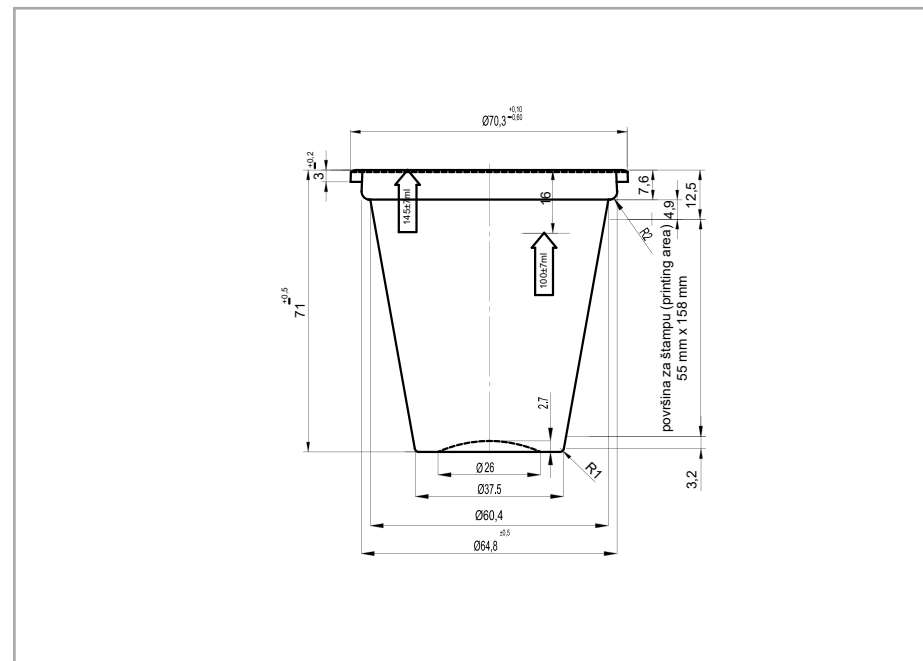
<b>FEATURES</b>	Shape	Round
	Volume brimful	295 ml ± 7 ml
	Volume under lid	250 ml ± 7 ml
	Height without lid	63.0 mm ± 0,5 mm
	Max.burden on the cup	70 N
	Dimension	Ø 95 mm
<b>WEIGHT</b>	Cup 106,	9.5 g ± 0,40 g
	Cup 106-6	9.5 g ± 0,40 g
<b>DECORATION</b>	Cup	YES Dry Offset NO PVC sleeve
<b>PACKING</b>	Pallet: 1. dimension	1200x800
	2. weight	184 kg
	3. height	200 cm
	Pcs/pallet:	11520
	Pcs/full truck (33 pall):	380.160



Art. 107 PS



<b>FEATURES</b>	Shape	Round
	Volume brimful	145 ml ± 7 ml
	Volume under lid	100 ml ± 7 ml
	Height without lid	71.0 mm ± 0,5 mm
	Max.burden on the cup	70 N
	Dimension	Ø 70.3 mm
<b>WEIGHT</b>	Cup 107	3.5 g ± 0,30 g
<b>DECORATION</b>	Cup	YES Dry Offset NO PVC sleeve
<b>PACKING</b>	Pallet: 1. dimension 2. weight 3. height	1200x800 176 kg 200 cm
	Pcs/pallet:	40500
	Pcs/full truck (33 pall):	1.336,500

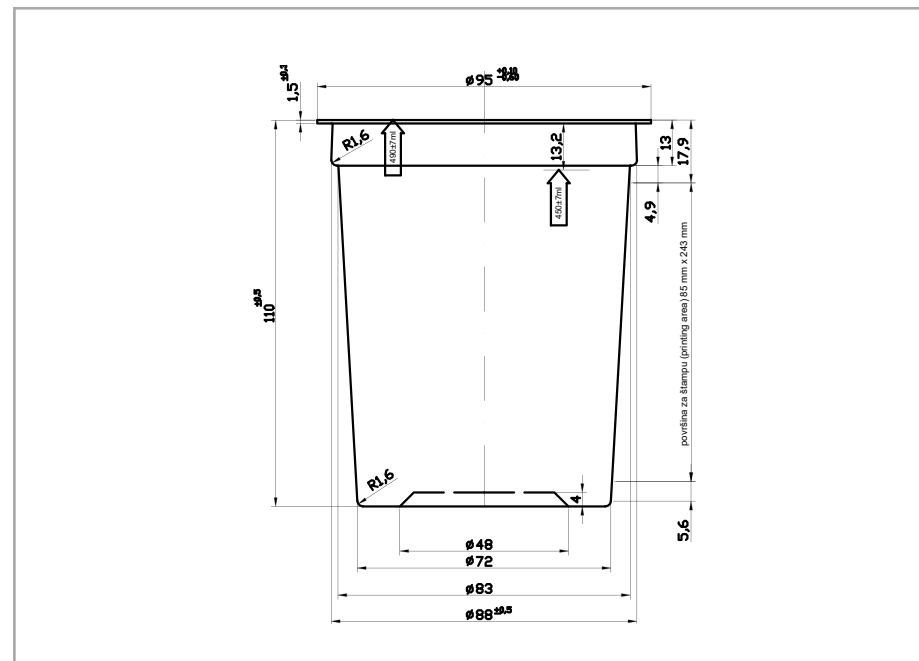




# Art. 108-1 PS



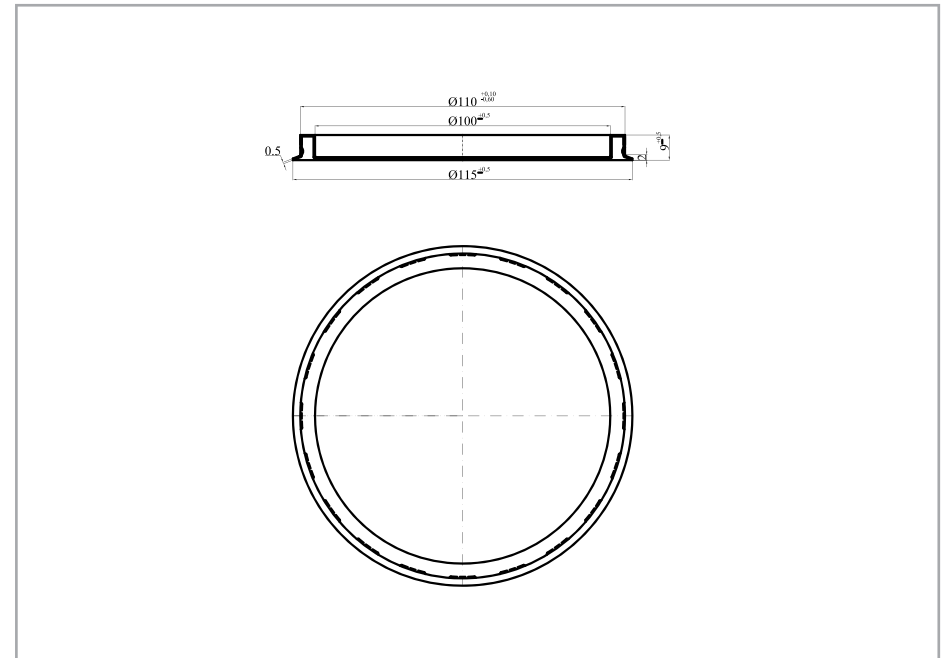
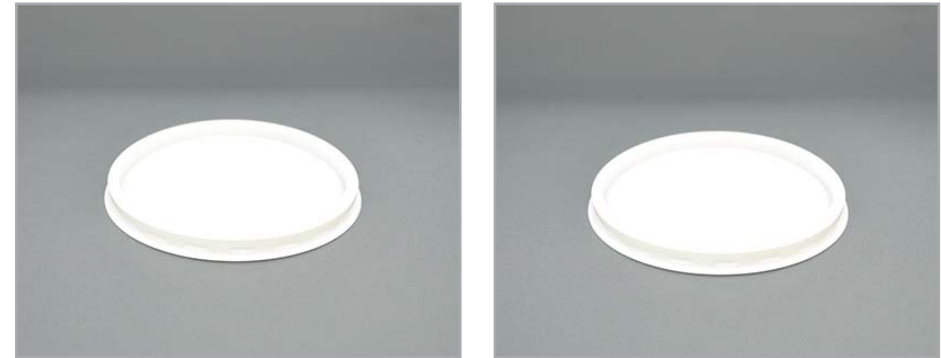
<b>FEATURES</b>	Shape	Round
	Volume brimful	490 ml ± 7 ml
	Volume under lid	450 ml ± 7 ml
	Height without lid	110.0 mm ± 0,5 mm
	Max.burden on the cup	70 N
	Dimension	Ø 95 mm
<b>WEIGHT</b>	Cup 108-1	13,0 g ± 0,50 g
<b>DECORATION</b>	Cup	YES Dry Offset
		NO PVC sleeve
<b>PACKING</b>	Pallet: 1. dimension	1200x800
	2. weight	188 kg
	3. height	200 cm
	Pcs/pallet:	11808
	Pcs/full truck (33 pall):	389.664



# Art. 109-2 PS WHITE LID



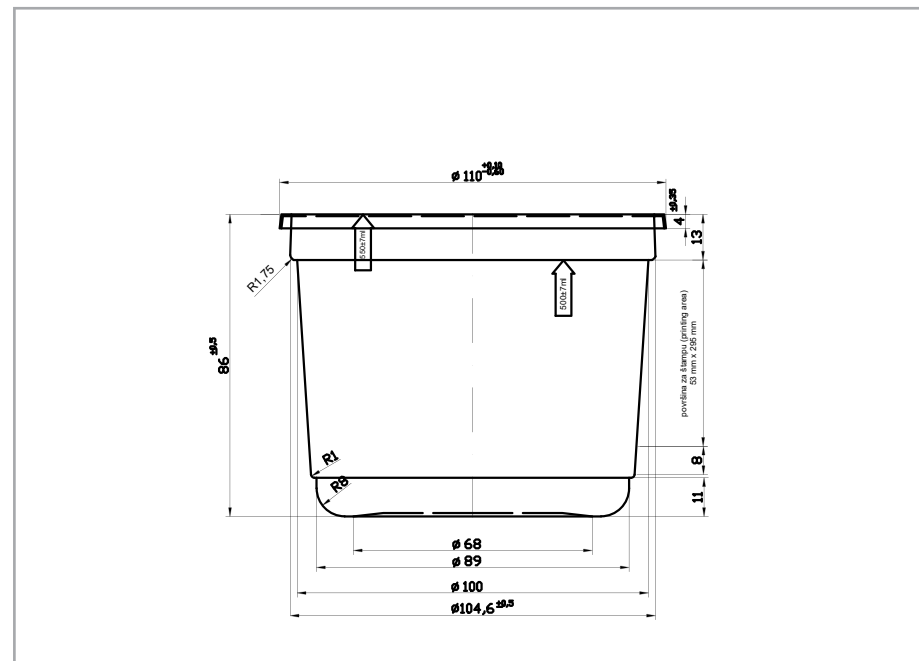
<b>FEATURES</b>	Shape	Round	
	Volume brimful	0 ml	± 7 ml
	Volume under lid	0 ml	± 7 ml
	Height of the lid	9.0 mm	± 0,5 mm
	Max.burden on the lid	0 N	
	Dimension	Ø 110 mm	
<b>WEIGHT</b>	Lid 109-2	6,0 g	± 0,30 g
<b>DECORATION</b>	Cup	YES	Dry Offset
		NO	PVC sleeve
<b>PACKING</b>	Pallet: 1. dimension		1200x800
	2. weight		114 kg
	3. height		200 cm
	Pcs/pallet:		13284
	Pcs/full truck (33 pall):		438.372



# Art. 110-1 PS



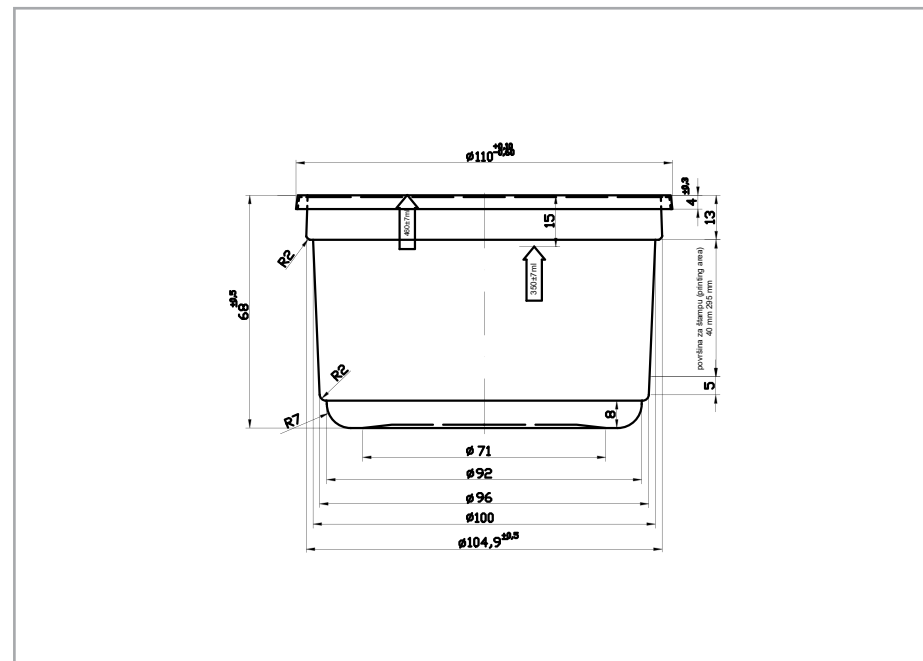
<b>FEATURES</b>	Shape	Round
	Volume brimful	550 ml ± 7 ml
	Volume under lid	500 ml ± 7 ml
	Height without lid	110.0 mm ± 0,5 mm
	Max.burden on the cup	70 N
	Dimension	Ø 110 mm
<b>WEIGHT</b>	Cup 110-1	16,5 g ± 0,60 g
<b>DECORATION</b>	Cup	YES Dry Offset
		NO PVC sleeve
<b>PACKING</b>	Pallet: 1. dimension	1200x800
	2. weight	184 kg
	3. height	200 cm
	Pcs/pallet:	9072
	Pcs/full truck (33 pall):	299.376



# Art. 112-1 PS



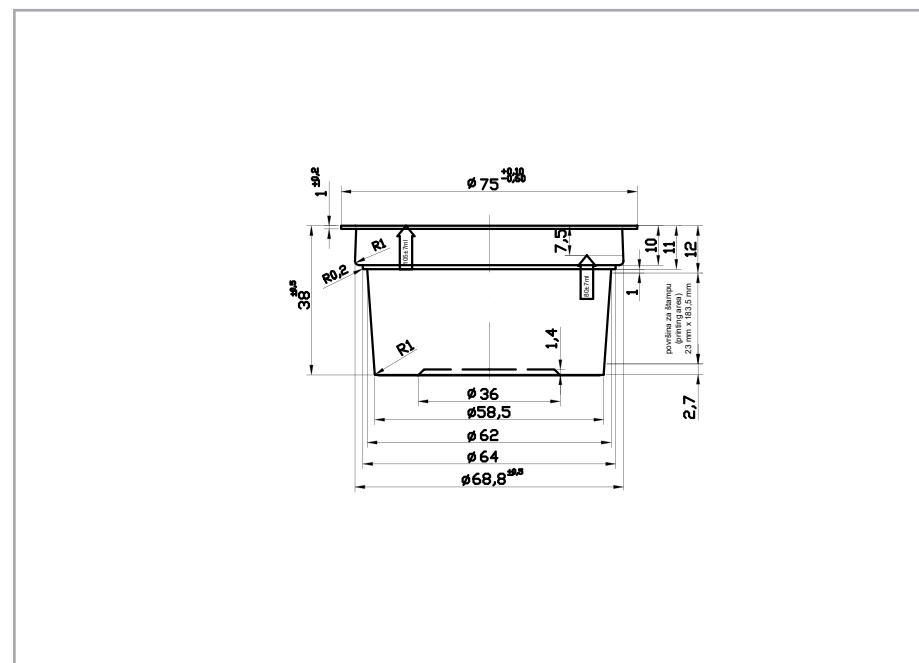
<b>FEATURES</b>	Shape	Round
	Volume brimful	460 ml ± 7 ml
	Volume under lid	350 ml ± 7 ml
	Height without lid	68.0 mm ± 0,5 mm
	Max.burden on the cup	70 N
	Dimension	Ø 110 mm
<b>WEIGHT</b>	Cup 112-1	14,2 g ± 0,50 g
<b>DECORATION</b>	Cup	YES Dry Offset
		NO PVC sleeve
<b>PACKING</b>	Pallet: 1. dimension	1200x800
	2. weight	184 kg
	3. height	200 cm
	Pcs/pallet:	9072
	Pcs/full truck (33 pall):	299.376



Art. 113-1 PS; Art.113-3 PS



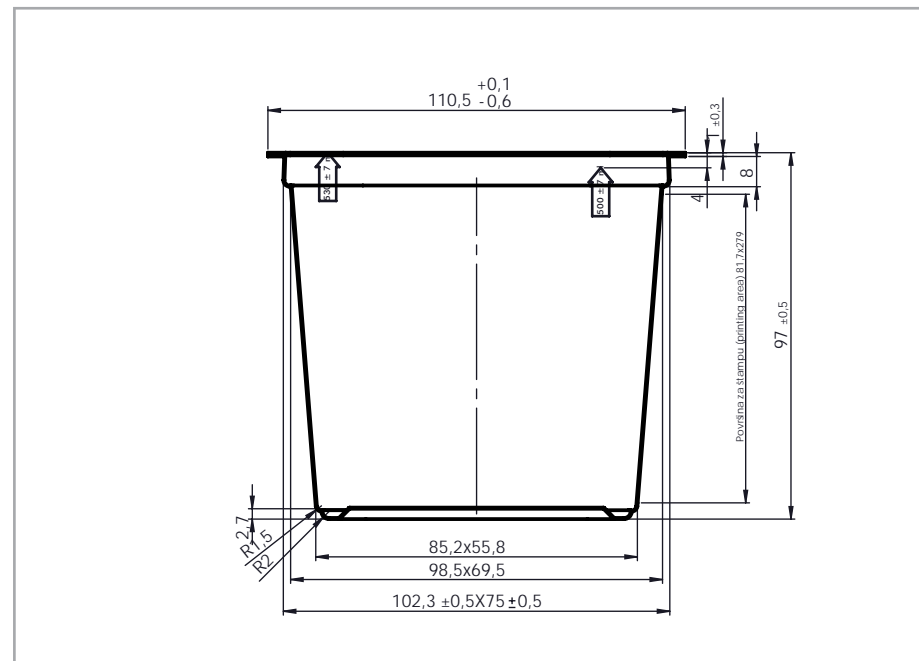
<b>FEATURES</b>	Shape	Round	
	Volume brimful	105 ml	± 7 ml
	Volume under lid	80 ml	± 7 ml
	Height without lid	38.0 mm	± 0,5 mm
	Max.burden on the cup	70 N	
	Dimension	Ø 75 mm	
<b>WEIGHT</b>	Cup 113-1	4,6 g	± 0,30 g
	Cup 113-3	5,5 g	± 0,30 g
<b>DECORATION</b>	Cup	YES	Dry Offset
		NO	PVC sleeve
<b>PACKING</b>	Pallet: 1. dimension		1200x800
	2. weight		152 kg
	3. height		200 cm
	Pcs/pallet:	Art.113-1	25650
		Art.113-3	26550
	Pcs/full truck (33 pall):		846.450
			876.150



# Art. 115 PS Rectangular



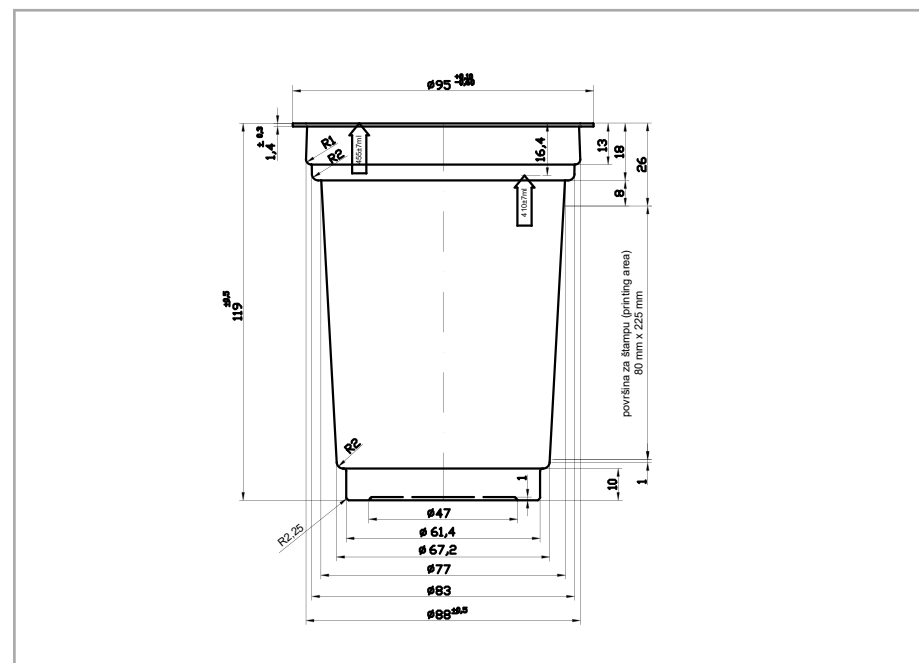
<b>FEATURES</b>	Shape	Rectangular
	Volume brimful	530 ml ± 7 ml
	Volume under lid	500 ml ± 7 ml
	Height without lid	97.0 mm ± 0,5 mm
	Max.burden on the cup	70 N
	Dimension	110x83 mm
<b>WEIGHT</b>	Cup 115	12,7 g ± 0,50 g
<b>DECORATION</b>	Cup	YES Dry Offset
		NO PVC sleeve
<b>PACKING</b>	Pallet: 1. dimension	1200x800
	2. weight	217 kg
	3. height	200 cm
	Pcs/pallet:	14364
	Pcs/full truck (33 pall):	474.012



Art. 116-1 PS; 116-7 PS



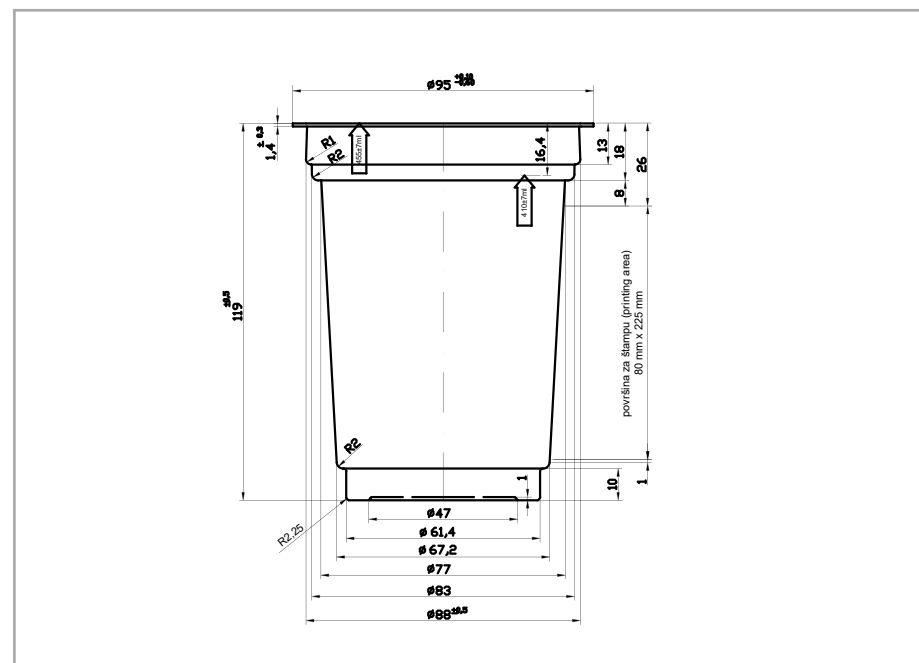
<b>FEATURES</b>	Shape	Round
	Volume brimful	455 ml ± 7 ml
	Volume under lid	410 ml ± 7 ml
	Height without lid	119.0 mm ± 0,5 mm
	Max.burden on the cup	70 N
	Dimension	Ø 95 mm
<b>WEIGHT</b>	Cup	13,5 g ± 0,50 g
<b>DECORATION</b>	Cup	YES Dry Offset
		NO PVC sleeve
<b>PACKING</b>	Pallet: 1. dimension	1200x800
	2. weight	194 kg
	3. height	200 cm
	Pcs/pallet:	11808
	Pcs/full truck (33 pall):	389.664



Art. 116-2 PS; 116-8 PS



<b>FEATURES</b>	Shape	Round
	Volume brimful	455 ml ± 7 ml
	Volume under lid	410 ml ± 7 ml
	Height without lid	119.0 mm ± 0,5 mm
	Max.burden on the cup	70 N
	Dimension	Ø 95 mm
<b>WEIGHT</b>	Cup	14,0 g ± 0,50 g
<b>DECORATION</b>	Cup	YES Dry Offset
		NO PVC sleeve
<b>PACKING</b>	Pallet: 1. dimension	1200x800
	2. weight	200 kg
	3. height	200 cm
	Pcs/pallet:	11808
	Pcs/full truck (33 pall):	389.664

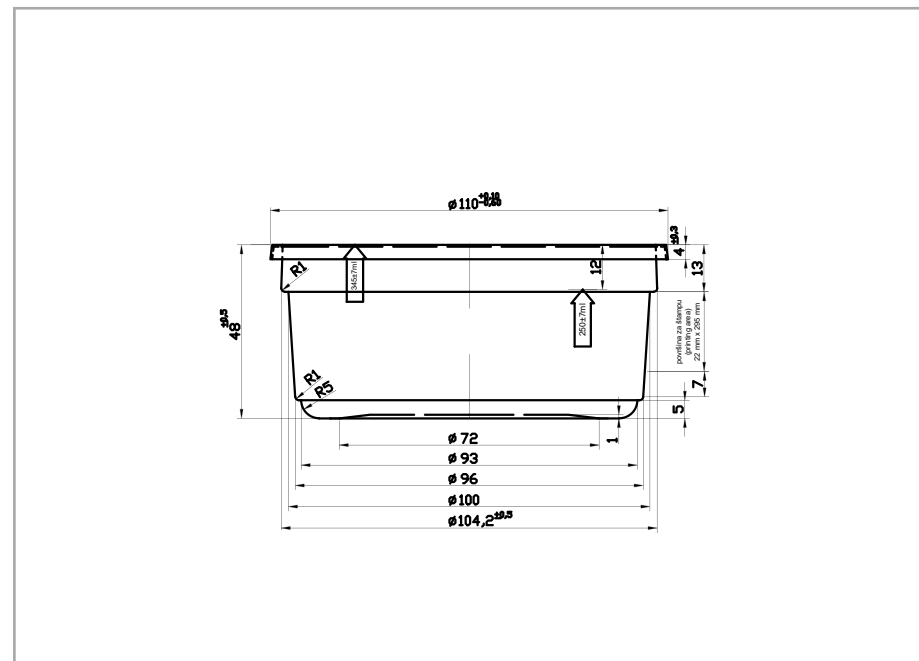




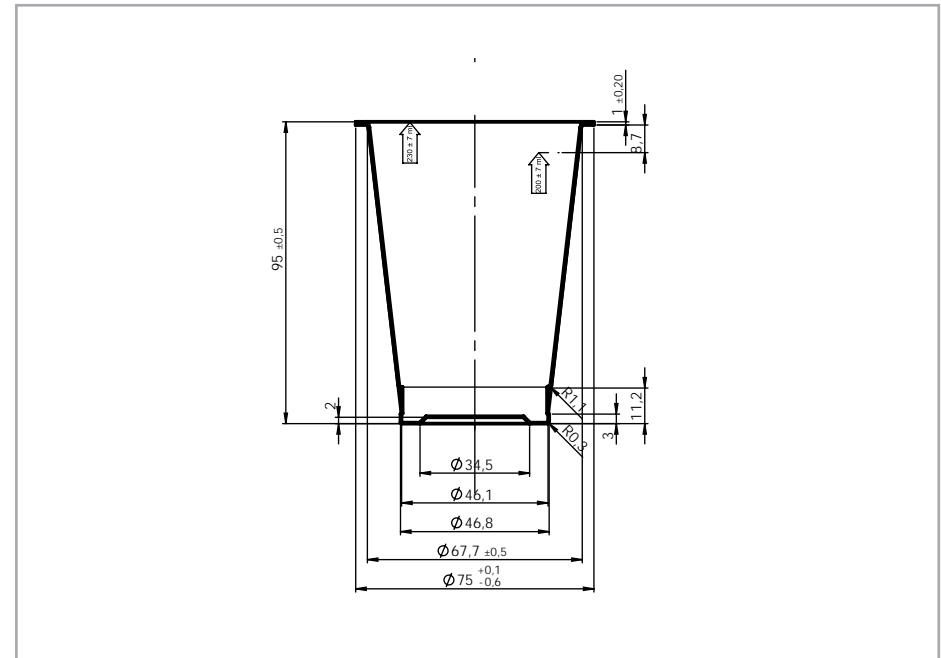
Art. 117-1 PS



<b>FEATURES</b>	Shape	Round	
	Volume brimful	345 ml	± 7 ml
	Volume under lid	250 ml	± 7 ml
	Height without lid	48.0 mm	± 0,5 mm
	Max.burden on the cup	70 N	
	Dimension	Ø 110 mm	
<b>WEIGHT</b>	Cup	12,6 g	± 0,50 g
<b>DECORATION</b>	Cup	YES	Dry Offset
		NO	PVC sleeve
<b>PACKING</b>	Pallet: 1. dimension	1200x800	
	2. weight	154 kg	
	3. height	200 cm	
	Pcs/pallet:	9504	
	Pcs/full truck (33 pall):	313.632	



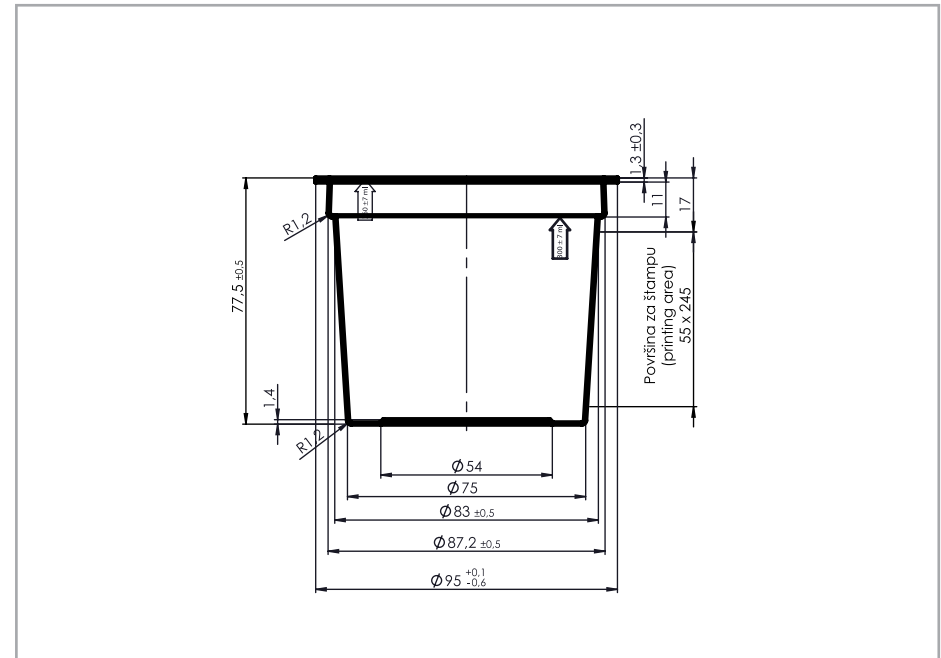
<b>FEATURES</b>	Shape	Round	
	Volume brimful	230 ml	± 7 ml
	Volume under lid	200 ml	± 7 ml
	Height without lid	95 mm	± 0,5 mm
	Max.burden on the cup	70 N	
	Dimension	Ø 75 mm	
<b>WEIGHT</b>	Cup	6.0 g	± 0,40 g
<b>DECORATION</b>	Cup	NO	Dry Offset
		YES	Karton sleeve
<b>PACKING</b>	Pallet: 1. dimension		1200x800
	2. weight		148 kg
	3. height		200 cm
	Pcs/pallet:		18900
	Pcs/full truck (33 pall):		623.700



# Art. 121-1 PS; 121-7 PS



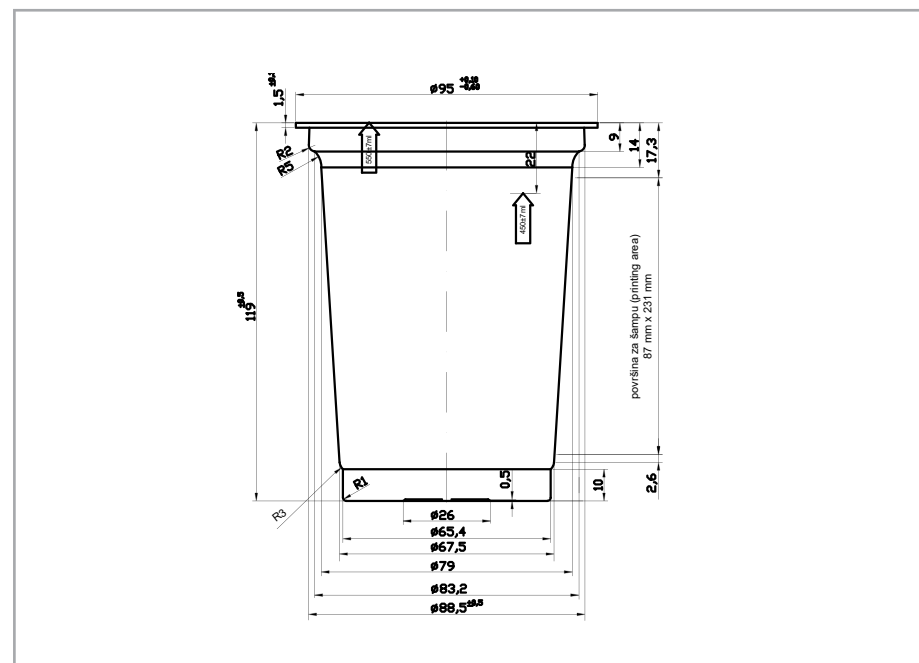
<b>FEATURES</b>	Shape	Round
	Volume brimful	360 ml ± 7 ml
	Volume under lid	300 ml ± 7 ml
	Height without lid	77.5 mm ± 0,5 mm
	Max.burden on the cup	70 N
	Dimension	Ø 95 mm
<b>WEIGHT</b>	Cup 121-1	10.30 g ± 0,50 g
	Cup 121-7	10.30 g ± 0,50 g
<b>DECORATION</b>	Cup	YES Dry Offset NO PVC sleeve
<b>PACKING</b>	Pallet: 1. dimension	1200x800
	2. weight	165 kg
	3. height	200 cm
	Pcs/pallet:	12.672
	Pcs/full truck (33 pall):	418.176



# Art. 123-1 PS; 123-7 PS



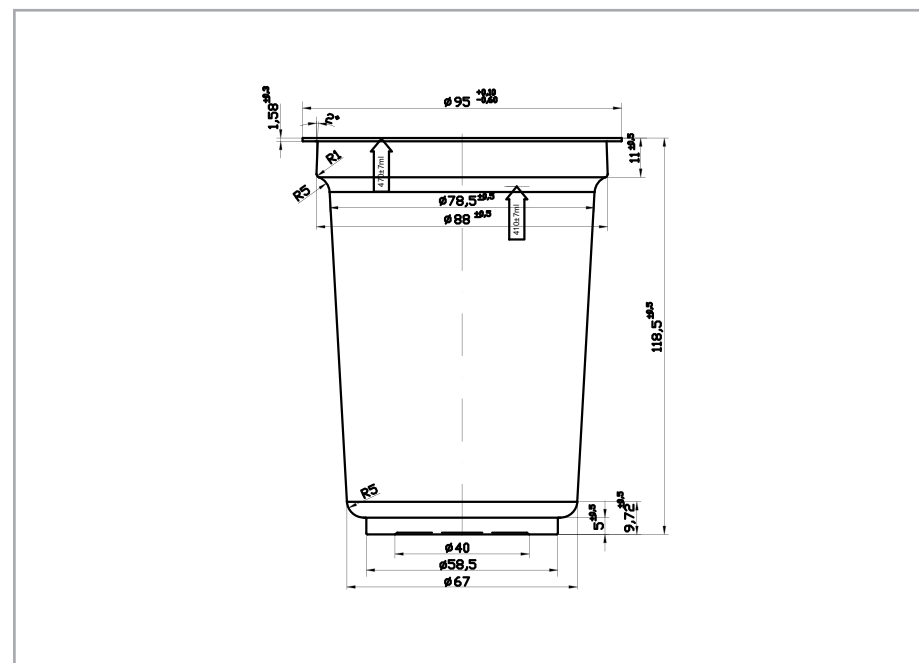
<b>FEATURES</b>	Shape	Round
	Volume brimful	550 ml ± 7 ml
	Volume under lid	450 ml ± 7 ml
	Height without lid	119 mm ± 0,5 mm
	Max.burden on the cup	70 N
	Dimension	Ø 95 mm
<b>WEIGHT</b>	Cup 123-1	13.0 g ± 0,50 g
	Cup 123-7	13.0 g ± 0,50 g
<b>DECORATION</b>	Cup	YES Dry Offset NO PVC sleeve
<b>PACKING</b>	Pallet: 1. dimension	1200x800
	2. weight	225 kg
	3. height	200 cm
	Pcs/pallet:	14.688
	Pcs/full truck (33 pall):	484.704



# Art. 124 PS; 124-9 PS



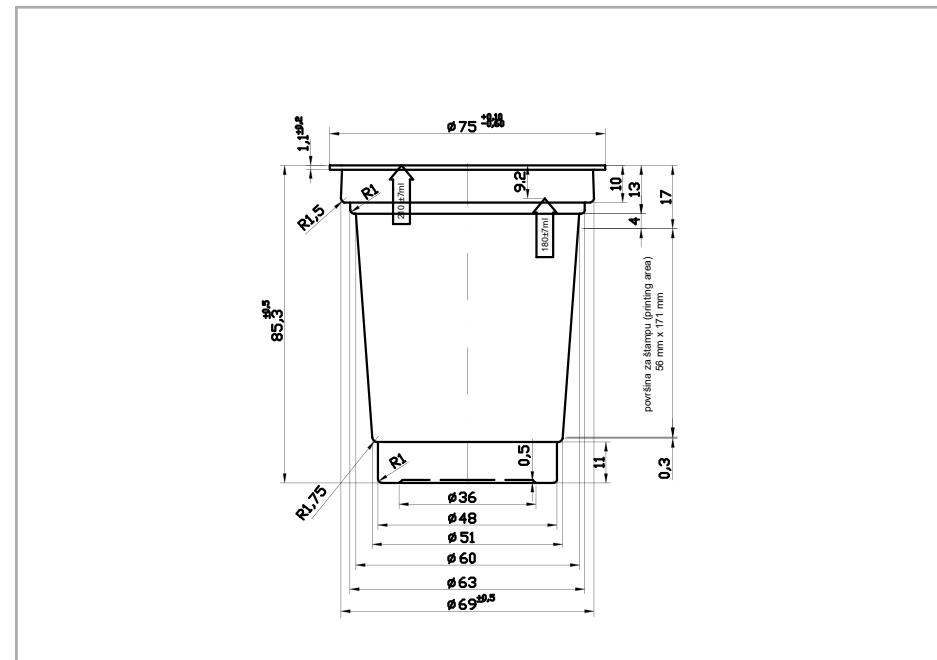
<b>FEATURES</b>	Shape	Round
	Volume brimful	470 ml ± 7 ml
	Volume under lid	410 ml ± 7 ml
	Height without lid	118,5 mm ± 0,5 mm
	Max.burden on the cup	70 N
	Dimension	Ø 95 mm
<b>WEIGHT</b>	Cup 124	14.0 g ± 0,50 g
	Cup 124-9	12.5 g ± 0,50 g
<b>DECORATION</b>	Cup	YES Dry Offset NO PVC sleeve
<b>PACKING</b>	Pallet: 1. dimension	1200x800
	2. weight	225 kg
	3. height	200 cm
	Pcs/pallet:	Cup 124 13.248 Cup 124-9 13.824
	Pcs/full truck (33 pall):	437.184 456.192



# Art. 126-1 PS; 126-2 PS



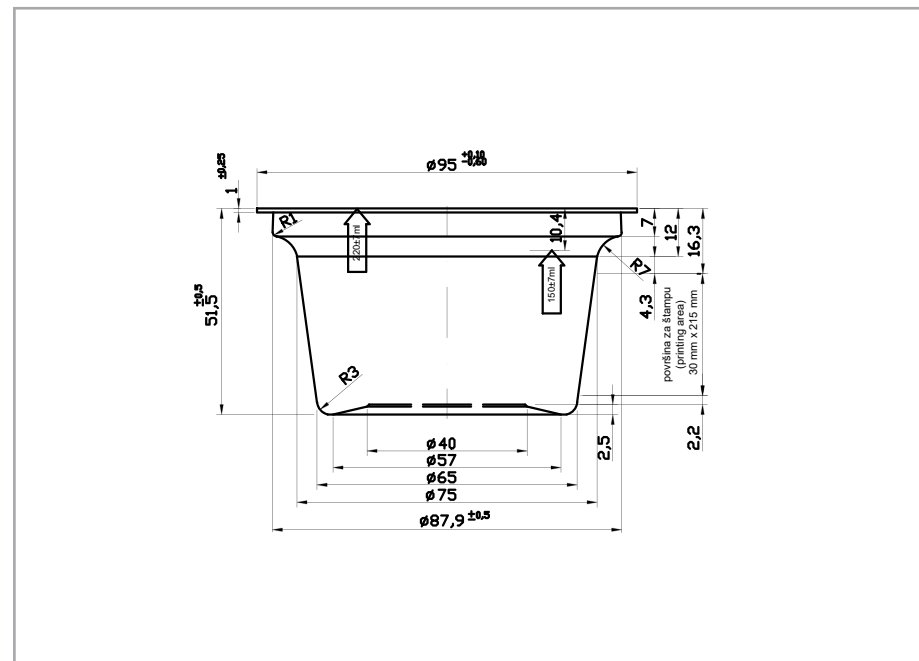
<b>FEATURES</b>	Shape	Round	
	Volume brimful	210 ml	± 7 ml
	Volume under lid	180 ml	± 7 ml
	Height without lid	85,3 mm	± 0,5 mm
	Max.burden on the cup	70 N	
	Dimension	Ø 75 mm	
<b>WEIGHT</b>	Cup 126-1	5.8 g	± 0,30 g
	Cup 126-2	6.2 g	± 0,40 g
<b>DECORATION</b>	Cup	YES	Dry Offset
		NO	PVC sleeve
<b>PACKING</b>	Pallet: 1. dimension	1200x800	
	2. weight	177 kg	
	3. height	200 cm	
	Pcs/pallet:	Cup 126-1	22.950
		Cup 126-2	22.950
	Pcs/full truck (33 pall):	757.350	



Art. 128-2 PS



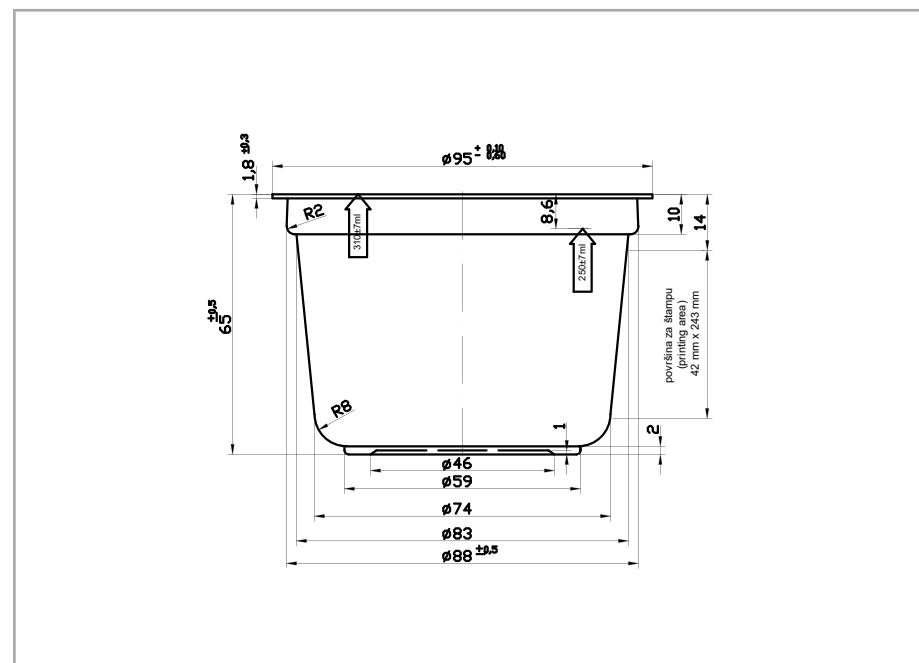
<b>FEATURES</b>	Shape	Round
	Volume brimful	220 ml ± 7 ml
	Volume under lid	150 ml ± 7 ml
	Height without lid	51,5 mm ± 0,5 mm
	Max.burden on the cup	70 N
	Dimension	Ø 95 mm
<b>WEIGHT</b>	Cup	7.5 g ± 0,40 g
<b>DECORATION</b>	Cup	YES Dry Offset
		NO PVC sleeve
<b>PACKING</b>	Pallet: 1. dimension	1200x800
	2. weight	203 kg
	3. height	200 cm
	Pcs/pallet:	22.464
	Pcs/full truck (33 pall):	741.312



Art. 129-1 PS; 129-7 PS; 129-2 PS; 129-8 PS



<b>FEATURES</b>	Shape	Round	
	Volume brimful	310 ml	± 7 ml
	Volume under lid	250 ml	± 7 ml
	Height without lid	65 mm	± 0,5 mm
	Max.burden on the cup	70 N	
	Dimension	Ø 95 mm	
<b>WEIGHT</b>	Cup 129-1, 129-7	10.4 g	± 0,50 g
	Cup 129-2, 129-8	11.9 g	± 0,50 g
<b>DECORATION</b>	Cup	YES	Dry Offset
		NO	PVC sleeve
<b>PACKING</b>	Pallet: 1. dimension	1200x800	
	2. weight	236 kg	
	3. height	200 cm	
	Pcs/pallet:	16.992	
	Pcs/full truck (33 pall):	560.736	

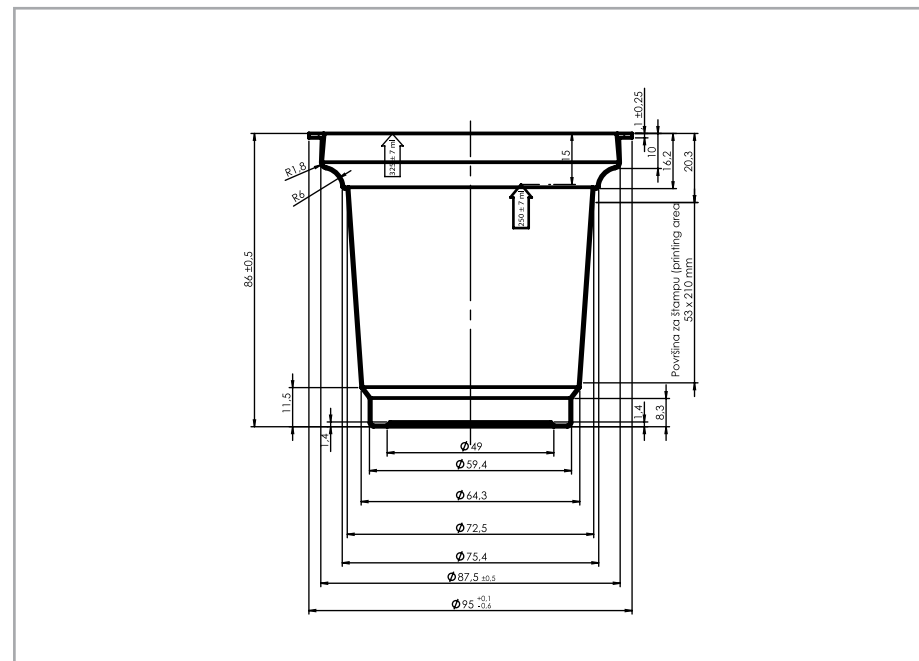




# Art. 130 PS; 130-6 PS



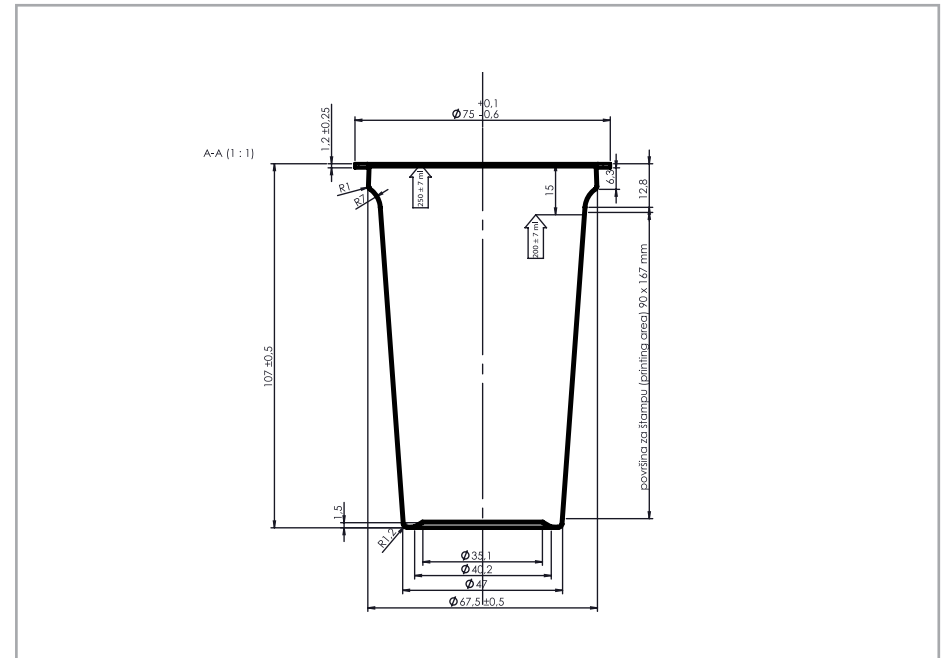
<b>FEATURES</b>	Shape	Round	
	Volume brimful	325 ml	± 7 ml
	Volume under lid	250 ml	± 7 ml
	Height without lid	86 mm	± 0,5 mm
	Max.burden on the cup	70 N	
	Dimension	Ø 95 mm	
<b>WEIGHT</b>	Cup 130, 130-6	9.90 g	± 0,40 g
<b>DECORATION</b>	Cup	YES	Dry Offset
		NO	PVC sleeve
<b>PACKING</b>	Pallet: 1. dimension		1200x800
	2. weight		183 kg
	3. height		200 cm
	Pcs/pallet:		14.976
	Pcs/full truck (33 pall):		494.208



Art. 132 PS



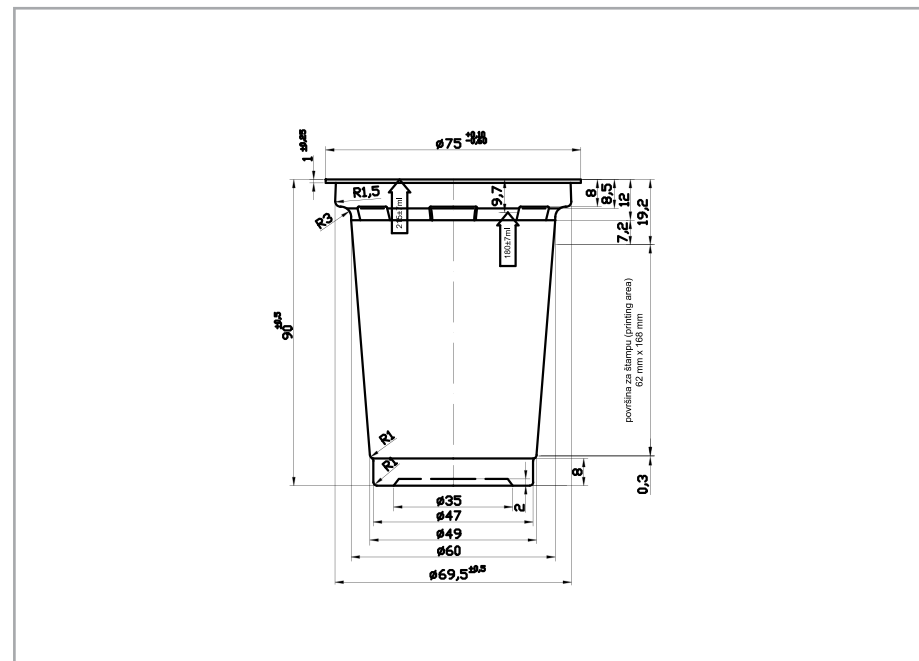
<b>FEATURES</b>	Shape	Round
	Volume brimful	250 ml ± 7 ml
	Volume under lid	200 ml ± 7 ml
	Height without lid	107 mm ± 0,5 mm
	Max.burden on the cup	70 N
Dimension	Ø 75 mm	
<b>WEIGHT</b>	Cup	7.80 g ± 0,30 g
<b>DECORATION</b>	Cup	YES Dry Offset
		NO PVC sleeve
<b>PACKING</b>	Pallet: 1. dimension	1200x800
	2. weight	273 kg
	3. height	200 cm
	Pcs/pallet:	30.600
	Pcs/full truck (33 pall):	1.009,800



# Art. 135-1 PS; 135-2 PS



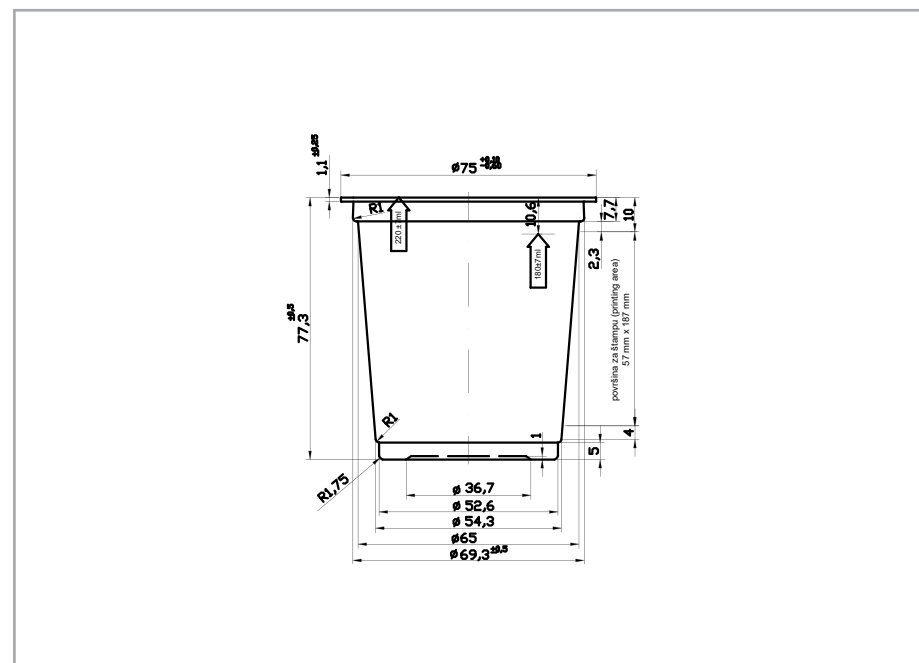
<b>FEATURES</b>	Shape	Round	
	Volume brimful	215 ml	± 7 ml
	Volume under lid	180 ml	± 7 ml
	Height without lid	90 mm	± 0,5 mm
	Max.burden on the cup	70 N	
	Dimension	Ø 75 mm	
<b>WEIGHT</b>	Cup 135-1	6.30 g	± 0,40 g
	Cup 135-2	5.90 g	± 0,40 g
<b>DECORATION</b>	Cup	YES	Dry Offset
		NO	PVC sleeve
<b>PACKING</b>	Pallet: 1. dimension		1200x800
	2. weight		207 kg
	3. height		200 cm
	Pcs/pallet:		27.450
	Pcs/full truck (33 pall):		905.850



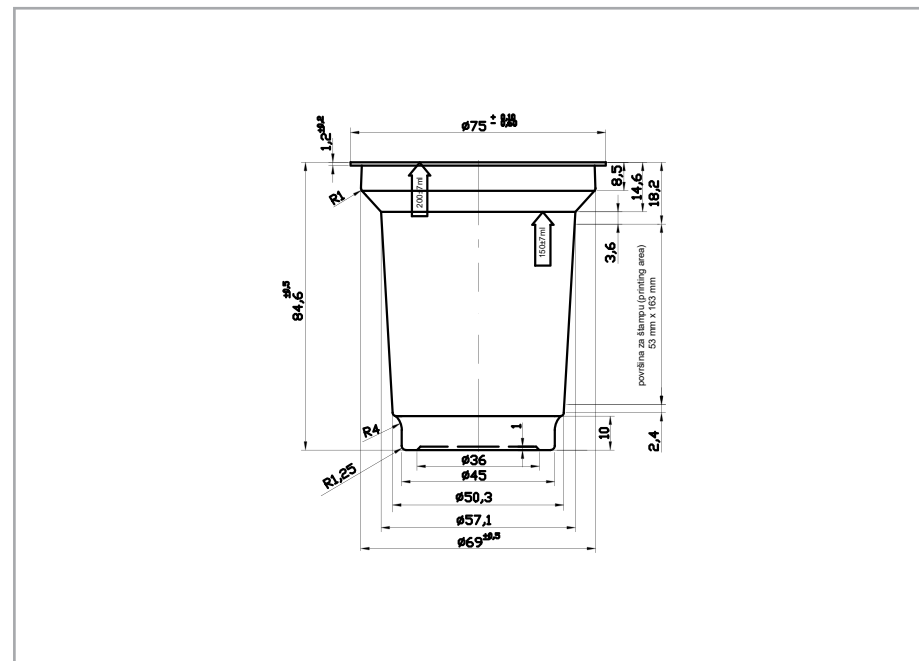
# Art. 136-1 PS; 136-2 PS



<b>FEATURES</b>	Shape	Round
	Volume brimful	220 ml ± 7 ml
	Volume under lid	180 ml ± 7 ml
	Height without lid	77.3 mm ± 0,5 mm
	Max.burden on the cup	70 N
	Dimension	Ø 75 mm
<b>WEIGHT</b>	Cup 136-1	6.20 g ± 0,40 g
	Cup 136-2	5.80 g ± 0,40 g
<b>DECORATION</b>	Cup	YES Dry Offset NO PVC sleeve
<b>PACKING</b>	Pallet: 1. dimension	1200x800
	2. weight	227 kg
	3. height	200 cm
	Pcs/pallet:	31.050
	Pcs/full truck (33 pall):	1.024,650



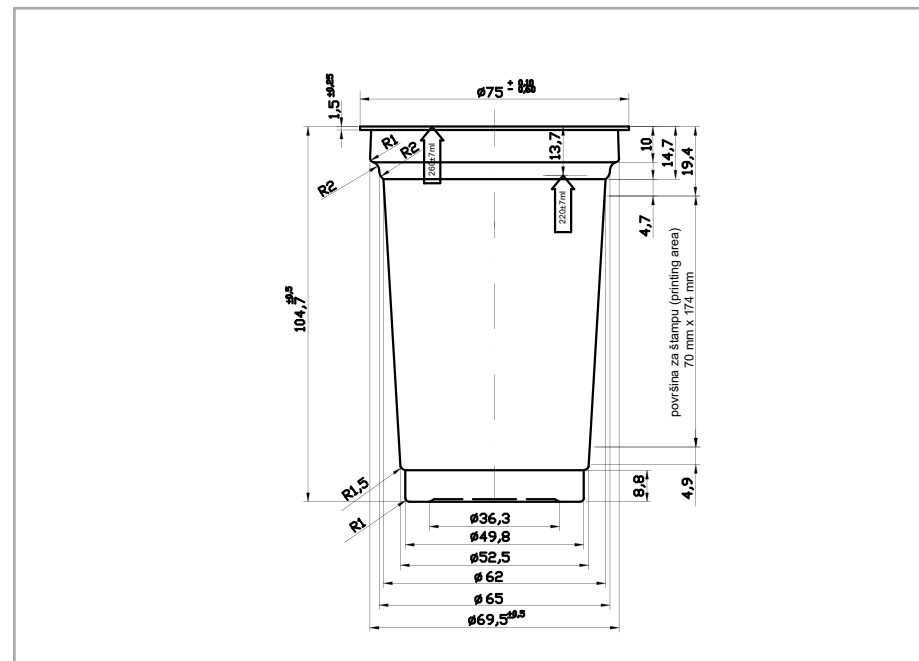
<b>FEATURES</b>	Shape	Round
	Volume brimful	200 ml ± 7 ml
	Volume under lid	150 ml ± 7 ml
	Height without lid	84.6 mm ± 0,5 mm
	Max.burden on the cup	70 N
	Dimension	Ø 75 mm
<b>WEIGHT</b>	Cup	5.70 g ± 0,30 g
<b>DECORATION</b>	Cup	YES Dry Offset
		NO PVC sleeve
<b>PACKING</b>	Pallet: 1. dimension	1200x800
	2. weight	163 kg
	3. height	200 cm
	Pcs/pallet:	22.500
	Pcs/full truck (33 pall):	742.500



# Art. 139 PS



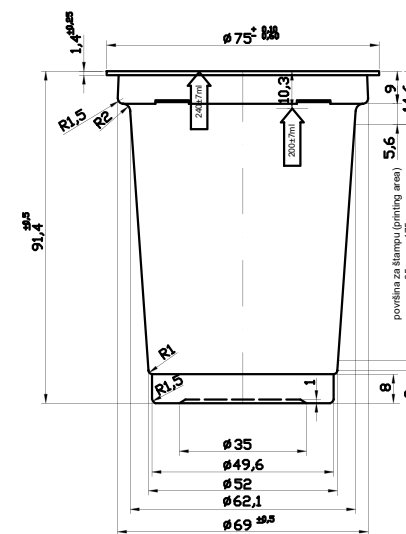
<b>FEATURES</b>	Shape	Round
	Volume brimful	260 ml ± 7 ml
	Volume under lid	220 ml ± 7 ml
	Height without lid	104.7 mm ± 0,5 mm
	Max.burden on the cup	70 N
	Dimension	Ø 75 mm
<b>WEIGHT</b>	Cup	8.50 g ± 0,30 g
<b>DECORATION</b>	Cup	YES Dry Offset NO PVC sleeve
<b>PACKING</b>	Pallet: 1. dimension 2. weight 3. height	1200x800 163 kg 200 cm
	Pcs/pallet:	22.500
	Pcs/full truck (33 pall):	742.500



Art. 140-1 PS



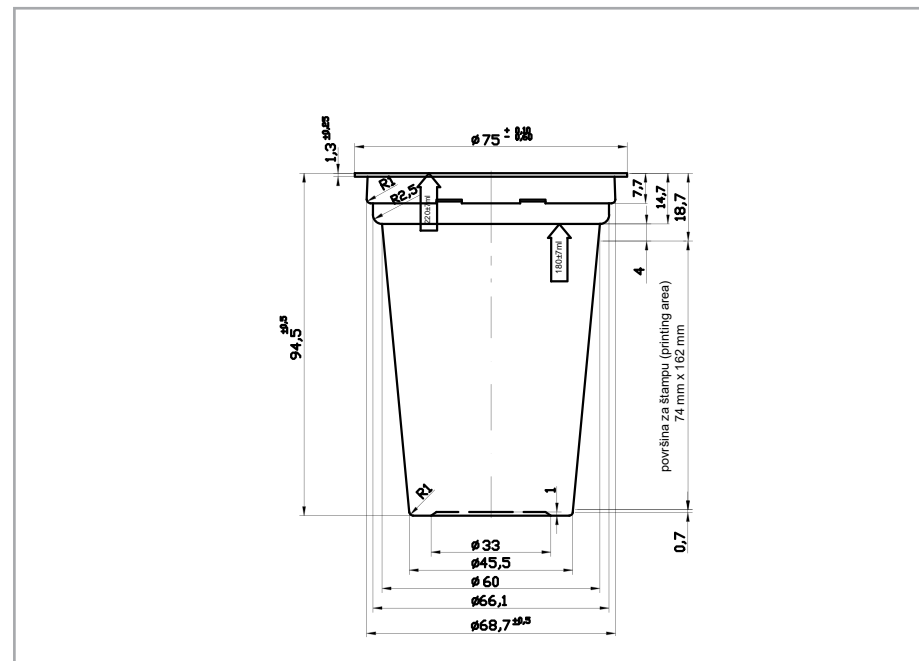
<b>FEATURES</b>	Shape	Round	
	Volume brimful	240 ml	$\pm 7$ ml
	Volume under lid	200 ml	$\pm 7$ ml
	Height without lid	91.4 mm	$\pm 0,5$ mm
	Max.burden on the cup	70 N	
	Dimension	$\text{\O} 75$ mm	
<b>WEIGHT</b>	Cup	6.20 g	$\pm 0,40$ g
<b>DECORATION</b>	Cup	YES	Dry Offset
		NO	PVC sleeve
<b>PACKING</b>	Pallet: 1. dimension		1200x800
	2. weight		163 kg
	3. height		200 cm
	Pcs/pallet:		25.200
	Pcs/full truck (33 pall):		831.600



# Art. 141 PS; 141-3 PS



<b>FEATURES</b>	Shape	Round
	Volume brimful	240 ml ± 7 ml
	Volume under lid	200 ml ± 7 ml
	Height without lid	91.4 mm ± 0,5 mm
	Max.burden on the cup	70 N
	Dimension	Ø 75 mm
<b>WEIGHT</b>	Cup 141	6.00 g ± 0,40 g
	Cup 141-3	6.50 g ± 0,40 g
<b>DECORATION</b>	Cup	YES Dry Offset NO PVC sleeve
<b>PACKING</b>	Pallet: 1. dimension	1200x800
	2. weight	222 kg
	3. height	200 cm
	Pcs/pallet:	28.800
	Pcs/full truck (33 pall):	950.400

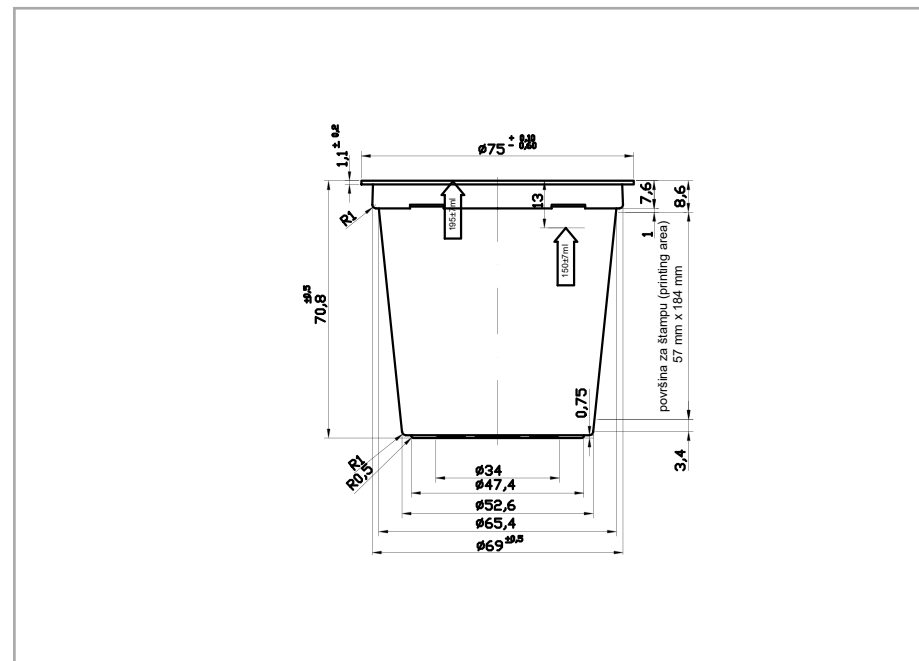




# Art. 142 PS



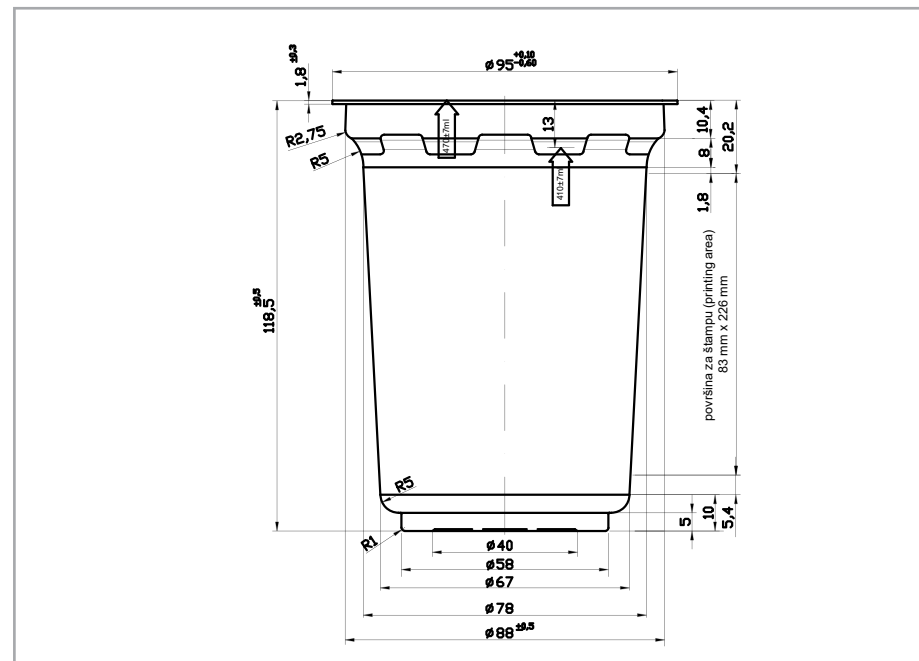
<b>FEATURES</b>	Shape	Round
	Volume brimful	195 ml ± 7 ml
	Volume under lid	150 ml ± 7 ml
	Height without lid	70.8 mm ± 0,5 mm
	Max.burden on the cup	70 N
	Dimension	Ø 75 mm
<b>WEIGHT</b>	Cup	5.50 g ± 0,30 g
<b>DECORATION</b>	Cup	YES Dry Offset
		NO PVC sleeve
<b>PACKING</b>	Pallet: 1. dimension	1200x800
	2. weight	237 kg
	3. height	200 cm
	Pcs/pallet:	36.900
	Pcs/full truck (33 pall):	1.217,700



Art. 144-2 PS; 144-3 PS; 144-7 PS; 144-8 PS



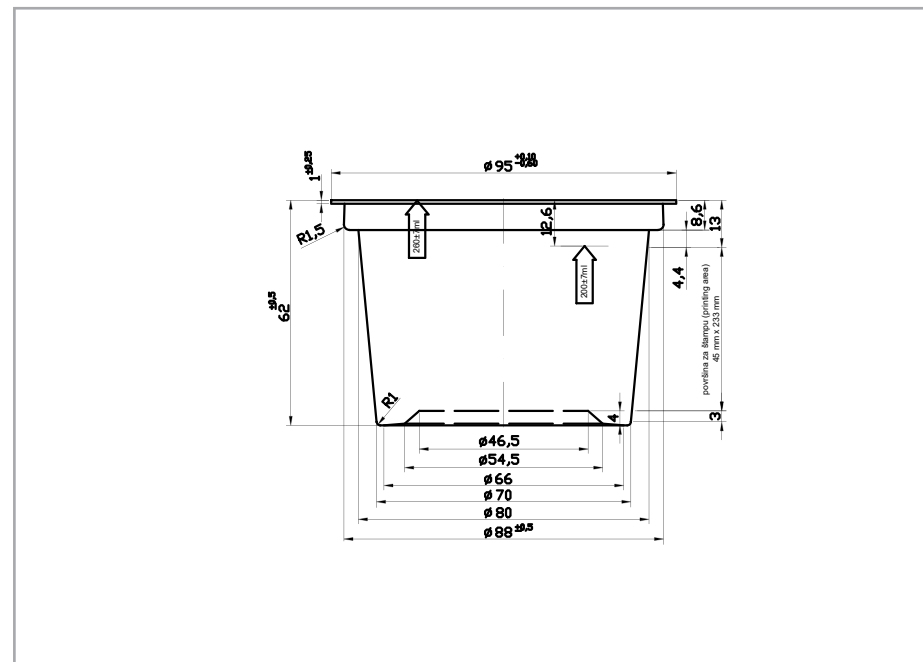
<b>FEATURES</b>	Shape	Round
	Volume brimful	470 ml ± 7 ml
	Volume under lid	410 ml ± 7 ml
	Volume under lid	380 ml ± 7 ml
	Height without lid	118.3 mm ± 0,5 mm
	Max.burden on the cup	70 N
	Dimension	Ø 95 mm
<b>WEIGHT</b>	Cup 144-2, 144-7	13.50 g ± 0,30 g
	Cup 144-3, 144-8	12.50 g ± 0,30 g
<b>DECORATION</b>	Cup	YES Dry Offset NO PVC sleeve
<b>PACKING</b>	Pallet: 1. dimension	1200x800
	2. weight	277 kg
	3. height	200 cm
	Pcs/pallet:	Cup 144-2 13.536 Cup 144-3 13.824
	Pcs/full truck (33 pall):	456.192



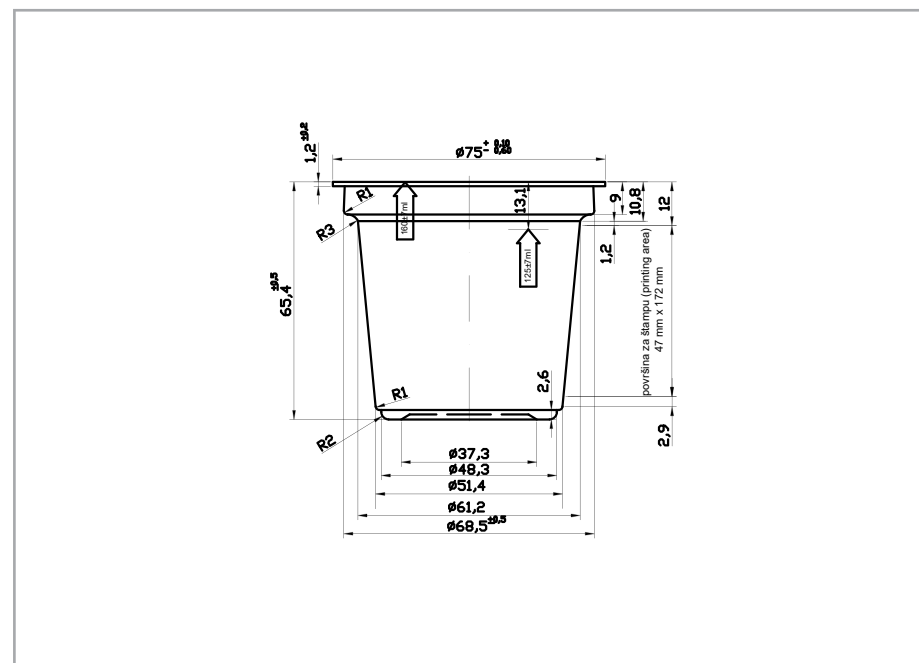
# Art. 146-1 PS; 146-3 PS



<b>FEATURES</b>	Shape	Round
	Volume brimful	260 ml ± 7 ml
	Volume under lid	200 ml ± 7 ml
	Height without lid	62.0 mm ± 0,5 mm
	Max.burden on the cup	70 N
	Dimension	Ø 95 mm
<b>WEIGHT</b>	Cup 146-1	8.30 g ± 0,40 g
	Cup 146-3	9.00 g ± 0,30 g
<b>DECORATION</b>	Cup	YES Dry Offset NO PVC sleeve
<b>PACKING</b>	Pallet: 1. dimension	1200x800
	2. weight	197 kg
	3. height	200 cm
	Pcs/pallet:	Cup 146-1 19.584 Cup 146-3 18.720
	Pcs/full truck (33 pall):	617.760



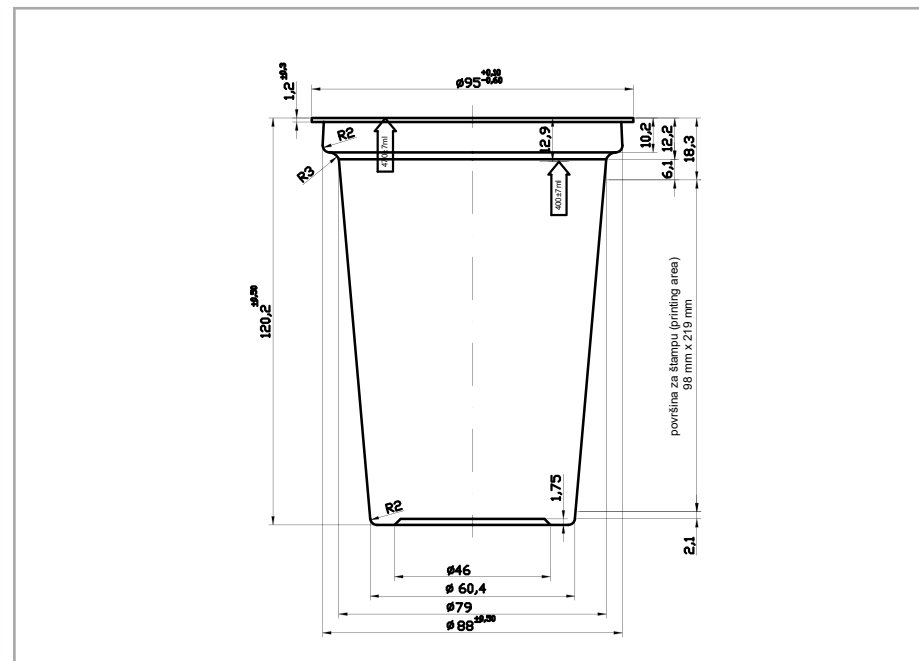
<b>FEATURES</b>	Shape	Round
	Volume brimful	160 ml ± 7 ml
	Volume under lid	125 ml ± 7 ml
	Height without lid	65.4 mm ± 0,5 mm
	Max.burden on the cup	70 N
	Dimension	Ø 75 mm
<b>WEIGHT</b>	Cup	5.50 g ± 0,30 g
<b>DECORATION</b>	Cup	YES Dry Offset
		NO PVC sleeve
<b>PACKING</b>	Pallet: 1. dimension	1200x800
	2. weight	193 kg
	3. height	200 cm
	Pcs/pallet:	Cup 28.800
	Pcs/full truck (33 pall):	950.400



Art. 148-1 PS; 148-7 PS



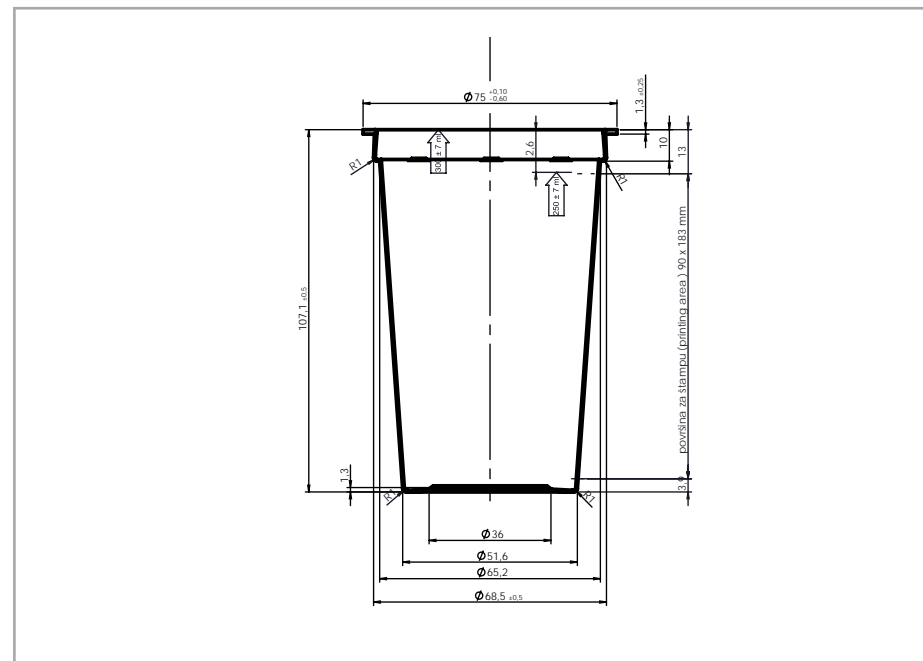
<b>FEATURES</b>	Shape	Round
	Volume brimful	470 ml ± 7 ml
	Volume under lid	400 ml ± 7 ml
	Height without lid	120.2 mm ± 0,5 mm
	Max.burden on the cup	70 N
	Dimension	Ø 95 mm
<b>WEIGHT</b>	Cup	13.0 g ± 0,50 g
<b>DECORATION</b>	Cup	YES Dry Offset
		NO PVC sleeve
<b>PACKING</b>	Pallet: 1. dimension	1200x800
	2. weight	222 kg
	3. height	200 cm
	Pcs/pallet:	Cup 14.400
	Pcs/full truck (33 pall):	475.200



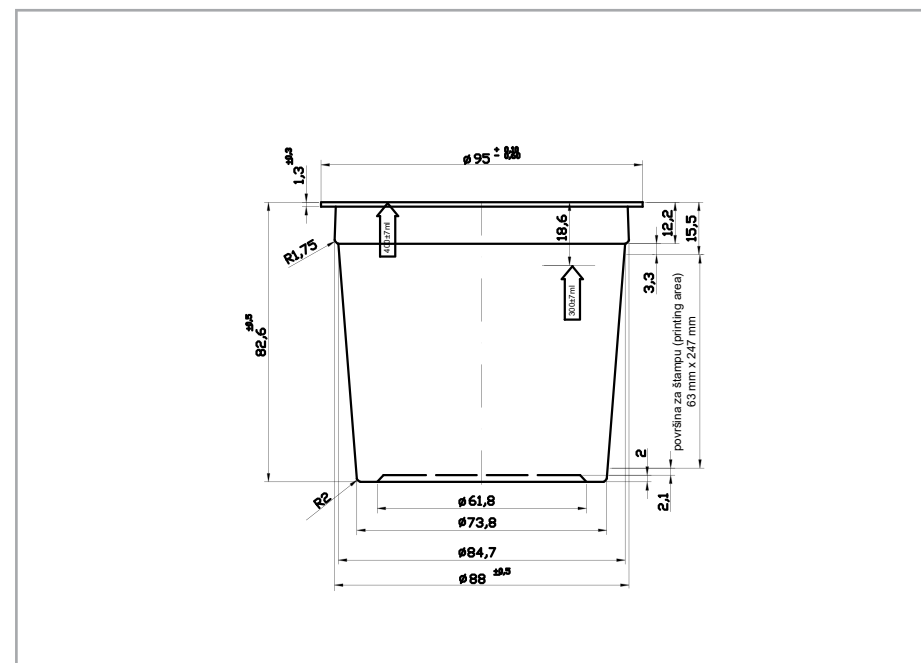
Art. 149-3 PS



<b>FEATURES</b>	Shape	Round	
	Volume brimful	300 ml	± 7 ml
	Volume under lid	250 ml	± 7 ml
	Height without lid	107.1 mm	± 0,5 mm
	Max.burden on the cup	70 N	
	Dimension	Ø 75 mm	
<b>WEIGHT</b>	Cup	8.5 g	± 0,40 g
<b>DECORATION</b>	Cup	YES	Dry Offset
		NO	PVC sleeve
<b>PACKING</b>	Pallet: 1. dimension		1200x800
	2. weight		248 kg
	3. height		200 cm
	Pcs/pallet:	Cup	25.200
	Pcs/full truck (33 pall):		831.600



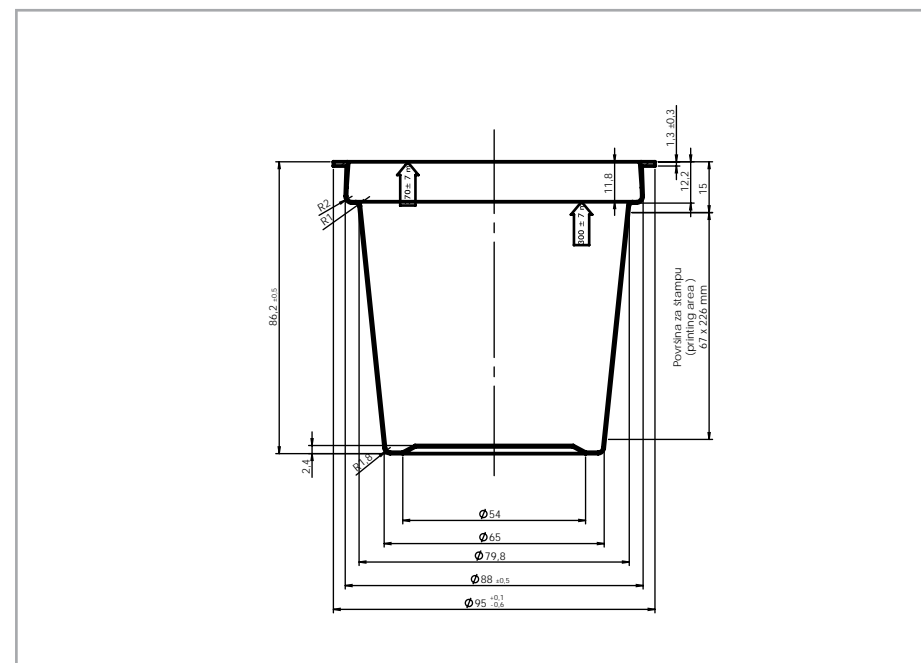
<b>FEATURES</b>	Shape	Round
	Volume brimful	400 ml ± 7 ml
	Volume under lid	300 ml ± 7 ml
	Height without lid	82.6 mm ± 0,5 mm
	Max.burden on the cup	70 N
	Dimension	Ø 95 mm
<b>WEIGHT</b>	Cup	10.8 g ± 0,50 g
<b>DECORATION</b>	Cup	YES Dry Offset
		NO PVC sleeve
<b>PACKING</b>	Pallet: 1. dimension	1200x800
	2. weight	171 kg
	3. height	200 cm
	Pcs/pallet:	Cup 12.672
	Pcs/full truck (33 pall):	418.176



# Art. 154 PS



<b>FEATURES</b>	Shape	Round	
	Volume brimful	370 ml	± 7 ml
	Volume under lid	300 ml	± 7 ml
	Height without lid	86.2 mm	± 0,5 mm
	Max.burden on the cup	70 N	
	Dimension	Ø 95 mm	
<b>WEIGHT</b>	Cup	10.8 g	± 0,50 g
<b>DECORATION</b>	Cup	YES	Dry Offset
		NO	PVC sleeve
<b>PACKING</b>	Pallet: 1. dimension		1200x800
	2. weight		171 kg
	3. height		200 cm
	Pcs/pallet:	Cup	12.672
	Pcs/full truck (33 pall):		418.176

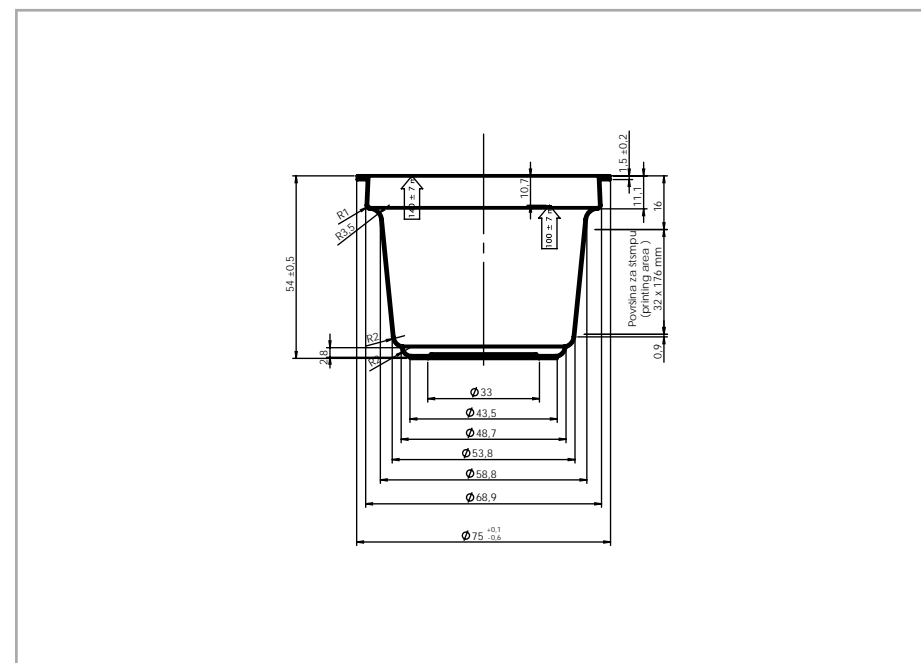




# Art. 155-1 PS; 155-2 PS



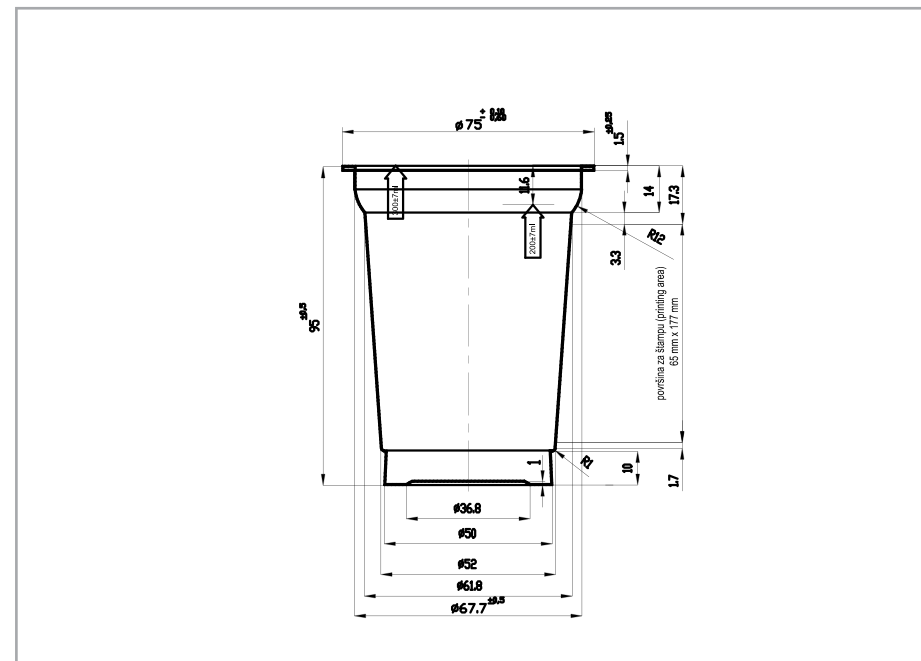
<b>FEATURES</b>	Shape	Round
	Volume brimful	140 ml ± 7 ml
	Volume under lid	100 ml ± 7 ml
	Height without lid	54.0 mm ± 0,5 mm
	Max.burden on the cup	70 N
	Dimension	Ø 75 mm
<b>WEIGHT</b>	Cup 155-1	6.0 g ± 0,30 g
	Cup 155-2	6.5 g ± 0,40 g
<b>DECORATION</b>	Cup	YES Dry Offset NO PVC sleeve
<b>PACKING</b>	Pallet: 1. dimension	1200x800
	2. weight	183 kg
	3. height	200 cm
	Pcs/pallet:	Cup 24.750
	Pcs/full truck (33 pall):	816.750



Art. 156 PS



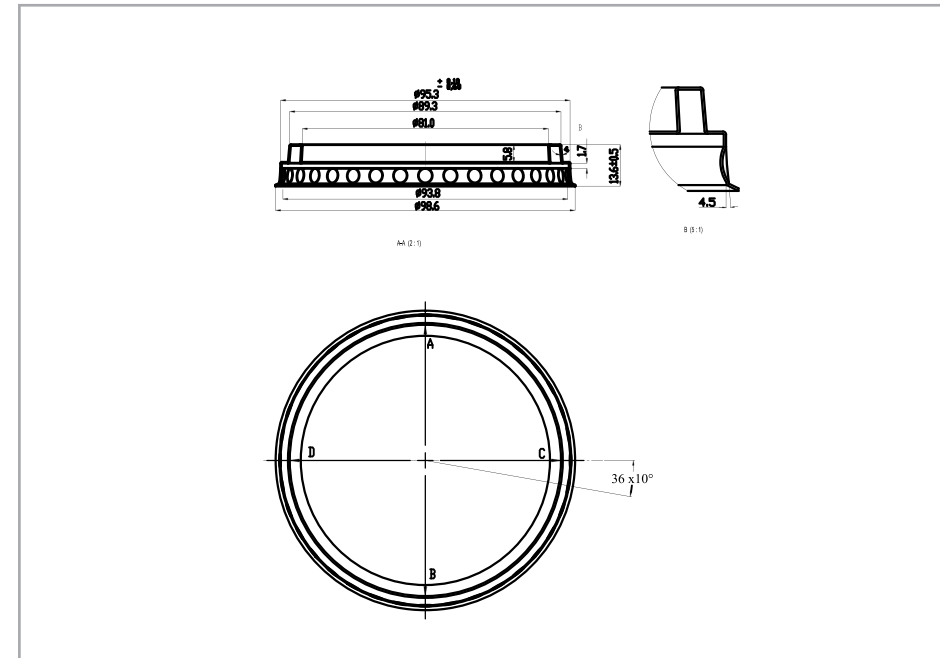
<b>FEATURES</b>	Shape	Round
	Volume brimful	300 ml ± 7 ml
	Volume under lid	200 ml ± 7 ml
	Height without lid	95.0 mm ± 0,5 mm
	Max.burden on the cup	70 N
Dimension	Ø 75 mm	
<b>WEIGHT</b>	Cup	7.5 g ± 0,40 g
<b>DECORATION</b>	Cup	YES Dry Offset NO PVC sleeve
<b>PACKING</b>	Pallet: 1. dimension	1200x800
	2. weight	183 kg
	3. height	200 cm
	Pcs/pallet:	Cup 24.750
	Pcs/full truck (33 pall):	816.750



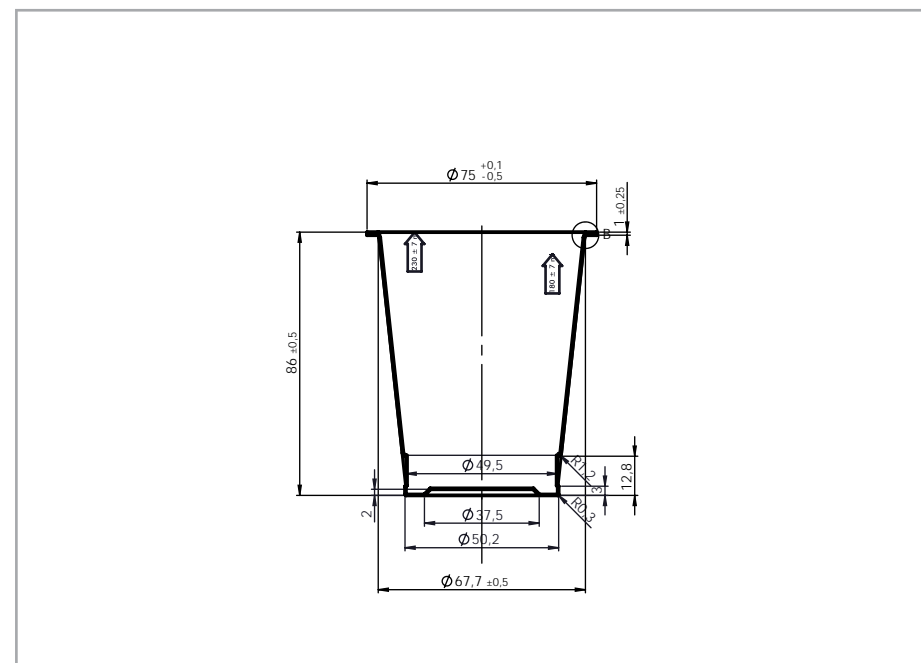
Art. 157 PS; 157-4 PS, 157-5 PS; 157-6 PS



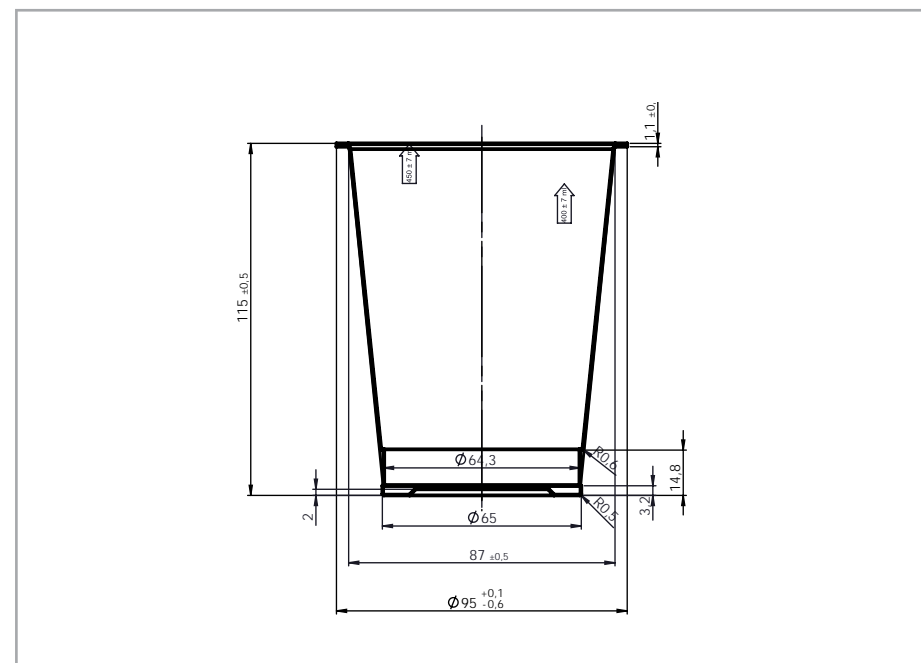
<b>FEATURES</b>	Shape	Round	
	Volume brimful	0 ml	± 7 ml
	Volume under lid	0 ml	± 7 ml
	Height of the lid	13.6 mm	± 0,5 mm
	Max.burden on the lid	0 N	
	Dimension	Ø 98.6 mm	
<b>WEIGHT</b>	Cup	3.0 g	± 0,40 g
<b>DECORATION</b>	Cup	YES	Dry Offset
		NO	PVC sleeve
<b>PACKING</b>	Pallet: 1. dimension		1200x800
	2. weight		110 kg
	3. height		200 cm
	Pcs/pallet:	Cup	25.760
	Pcs/full truck (33 pall):		850.080



<b>FEATURES</b>	Shape	Round	
	Volume brimful	230 ml	± 7 ml
	Volume under lid	180 ml	± 7 ml
	Height without lid	86.0 mm	± 0,5 mm
	Max.burden on the cup	70 N	
	Dimension	Ø 75 mm	
<b>WEIGHT</b>	Cup	4.70	± 0,30 g
<b>DECORATION</b>	Cup	NO	Dry Offset
		YES	Karton sleeve
<b>PACKING</b>	Pallet: 1. dimension		1200x800
	2. weight		121 kg
	3. height		200 cm
	Pcs/pallet:	Cup	18.450
	Pcs/full truck (33 pall):		608.850



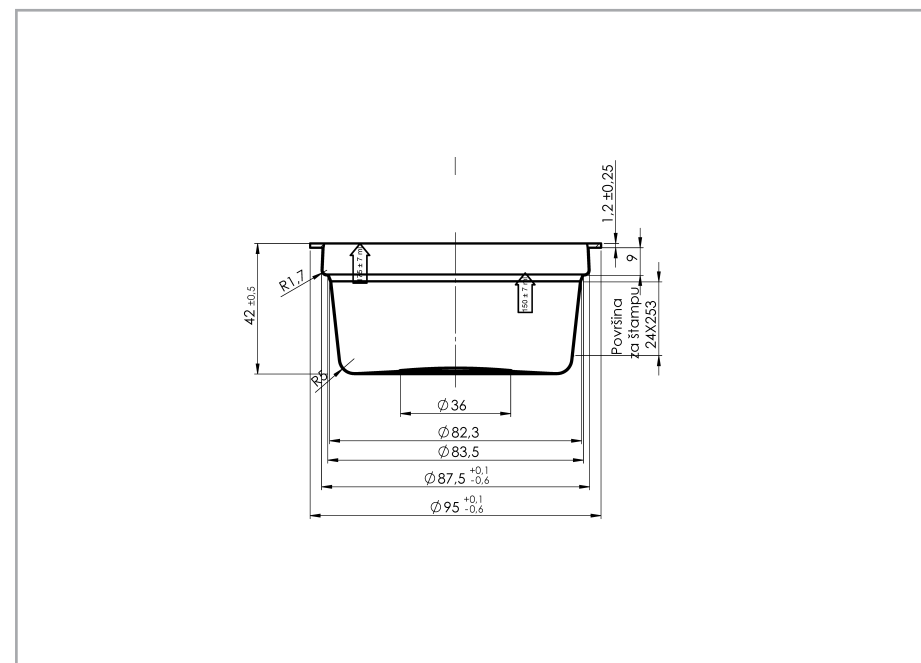
<b>FEATURES</b>	Shape	Round
	Volume brimful	450 ml ± 7 ml
	Volume under lid	400 ml ± 7 ml
	Height without lid	115.0 mm ± 0,5 mm
	Max.burden on the cup	70 N
	Dimension	Ø 95 mm
<b>WEIGHT</b>	Cup	10.90 ± 0,50 g
<b>DECORATION</b>	Cup	NO Dry Offset
		YES Karton sleeve
<b>PACKING</b>	Pallet: 1. dimension	1200x800
	2. weight	135 kg
	3. height	200 cm
	Pcs/pallet:	Cup 9.216
	Pcs/full truck (33 pall):	304.128



Art. 167 PS; 167-1 PS; 167-6 PS



<b>FEATURES</b>	Shape	Round	
	Volume brimful	175 ml	± 7 ml
	Volume under lid	150 ml	± 7 ml
	Height without lid	42.0 mm	± 0,5 mm
	Max.burden on the cup	70 N	
	Dimension	Ø 95 mm	
<b>WEIGHT</b>	Cup	8.50	± 0,40 g
<b>DECORATION</b>	Cup	YES	Dry Offset
		YES	PVC sleeve
<b>PACKING</b>	Pallet: 1. dimension		1200x800
	2. weight		176 kg
	3. height		200 cm
	Pcs/pallet:	Cup	16.704
	Pcs/full truck (33 pall):		551.232



Proven d.o.o. Sarajevo, Adema Buće br. 148, 71000 Sarajevo, Bosnia & Hercegovina;  
Tel: +387 33 65 14 07; +387 33 71 86 70; Fax: + 387 33 71 86 71; E-mail: [proven@bih.net.ba](mailto:proven@bih.net.ba); [jt@proven.com.ba](mailto:jt@proven.com.ba)