

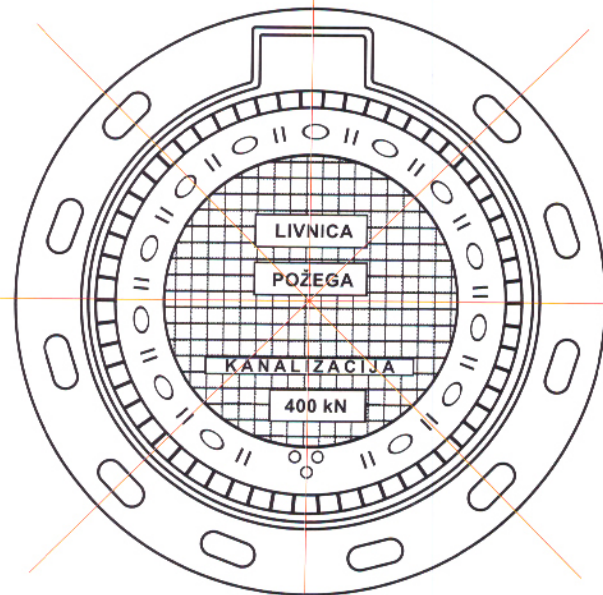
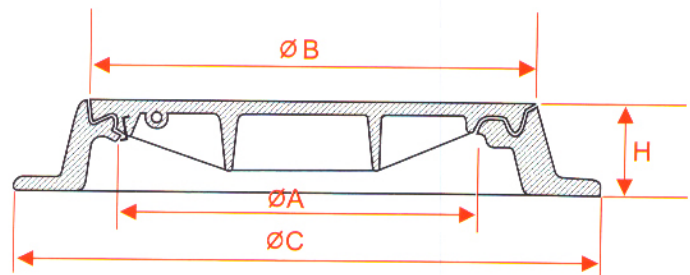


**MANHOLE COVER WITH FRAME**  
 fi 600 EN 124, DUCTILE IRON D 400,  
 art. 2089; C 250, art. 20901

PAGE NUMBER  
**1**



**JEDINSTVO - FOUNDRY "POZEGA" DOO**



**WITH LOCK, NOISE REDUCTION INSERT & GASKET**

**USE :**

- \* Roads
- \* Streets
- \* Parking lots
- \* Pavements

**COVER VARIANTS**

- \* Custom-made inscription
- \* With and without openings

| CLASS | CAPACITY | ARTICLE | A   | B   | C   | H   |
|-------|----------|---------|-----|-----|-----|-----|
| D     | 400kN    | 2089    | 600 | 665 | 795 | 105 |
| C     | 250kN    | 20901   | 600 | 665 | 795 | 105 |

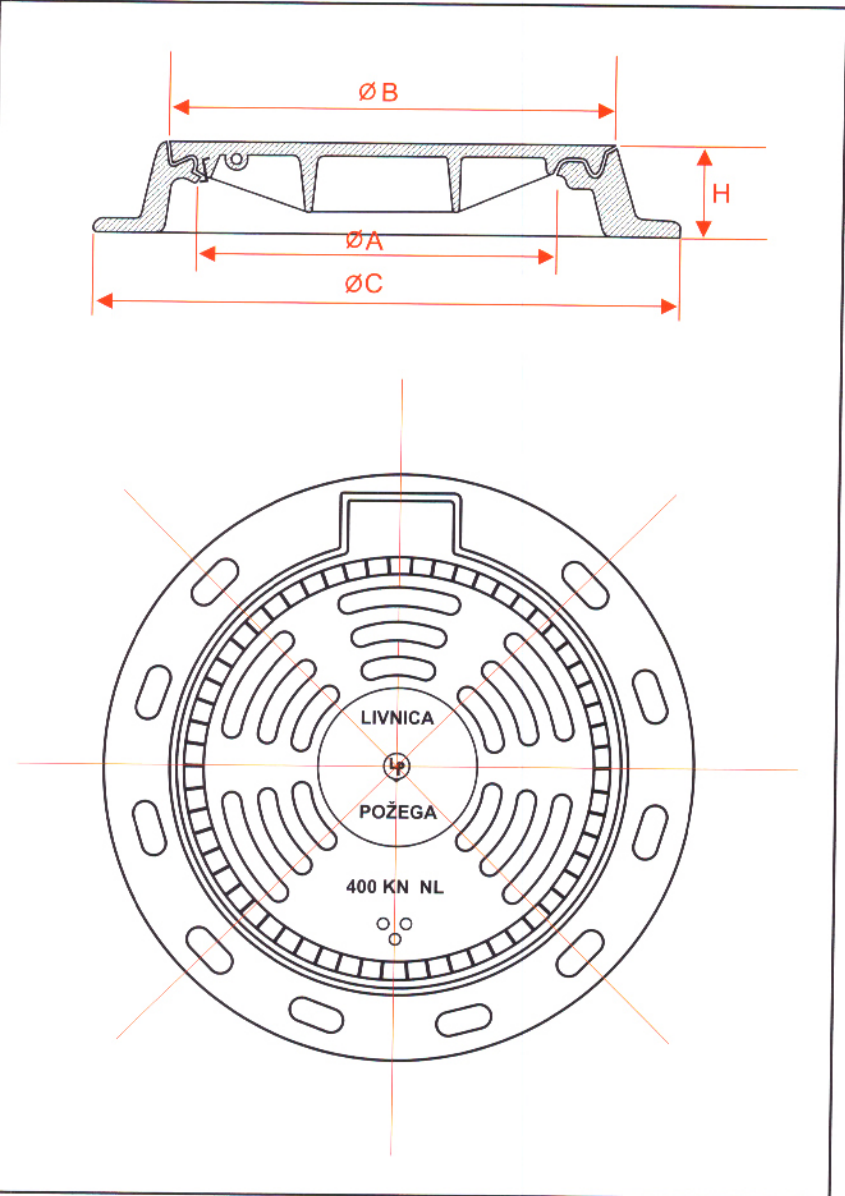


**MANHOLE COVER WITH FRAME**  
 fi 600 EN 124, DUCTILE IRON  
 D 400, art. 2095

PAGE NUMBER  
**2**



**JEDINSTVO - FOUNDRY "POZEGA" DOO**



**WITH LOCK & NOISE REDUCTION INSERT**

**USE :** \* Roads \* Parking lots \* Streets \* Pavements

**COVER VARIANTS** \*Custom-made inscription

| CLASS | CAPACITY | ARTICLE | A   | B   | C   | H   |
|-------|----------|---------|-----|-----|-----|-----|
| D     | 400kN    | 2095    | 600 | 665 | 795 | 105 |

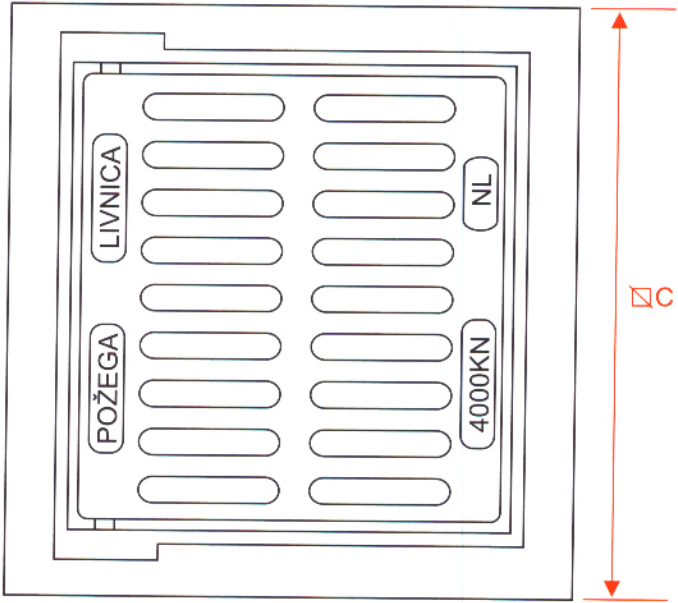
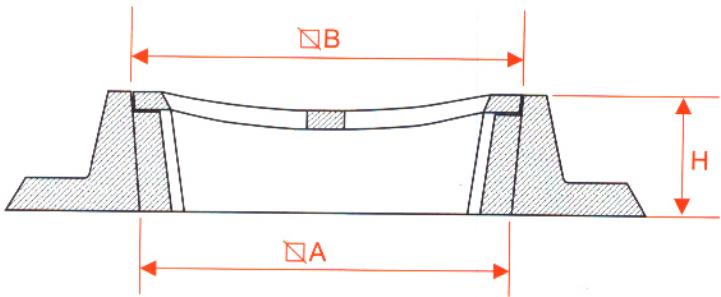


**KANALSKA REŠETKA 400 x 400  
EN 124, NODULARNI LIV  
D 400, art 2384**

LIST BROJ  
**3**



**JEDINSTVO - LIVNICA "POŽEGA" DOO**



**SA ŠARKOM**

**PRIMENA:** \* Putevi \* Ulice \* Parkinzi \* Trotoari **VARIJANTE REŠETKI / OKVIRA:** \* Ovalni

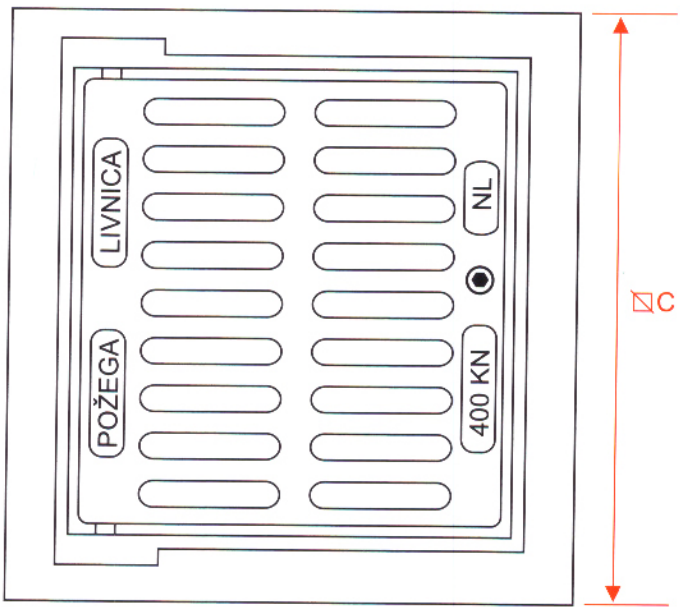
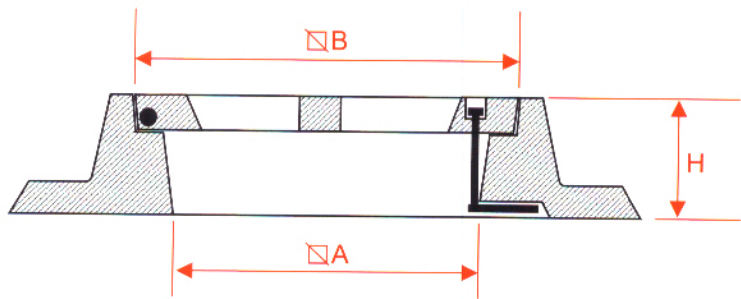
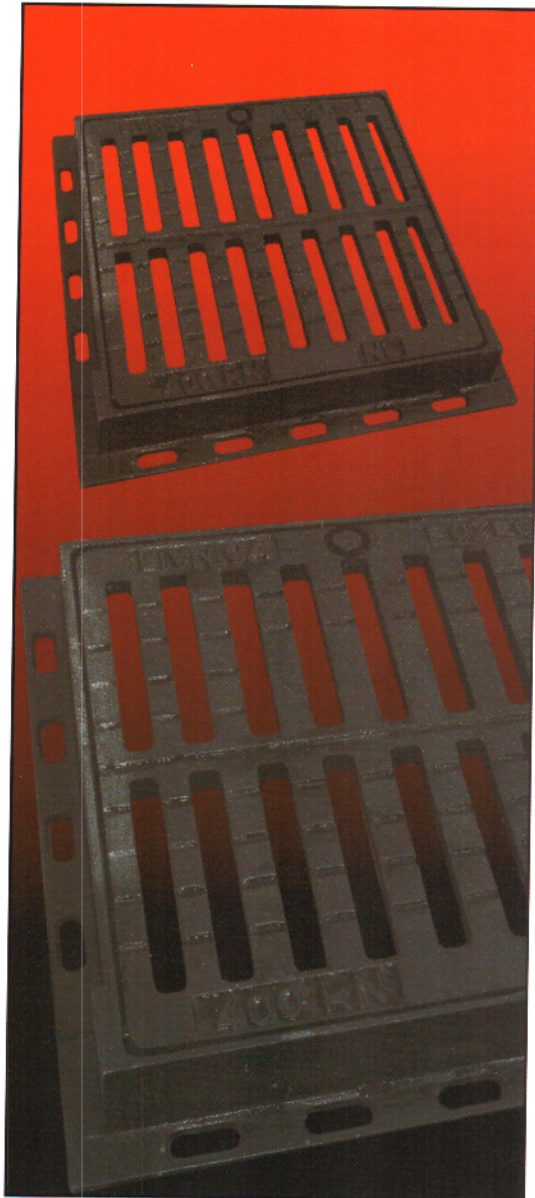
| KLASA | NOSIVOST | ARTIKAL | A   | B   | C   | H  |
|-------|----------|---------|-----|-----|-----|----|
| D     | 400kN    | 2384    | 400 | 415 | 515 | 80 |



**CHANNEL GRATE 400 x 400**  
**EN 124, DUCTILE IRON**  
**D 400, art. 2384**



**JEDINSTVO - FOUNDRY "POZEGA" DOO**



**WITH HINGE & LOCK**

**USE :** \* Roads \* Parking lots \* Streets \* Pavements **VARIANTS OF GRATES / FRAMES** \* Flat

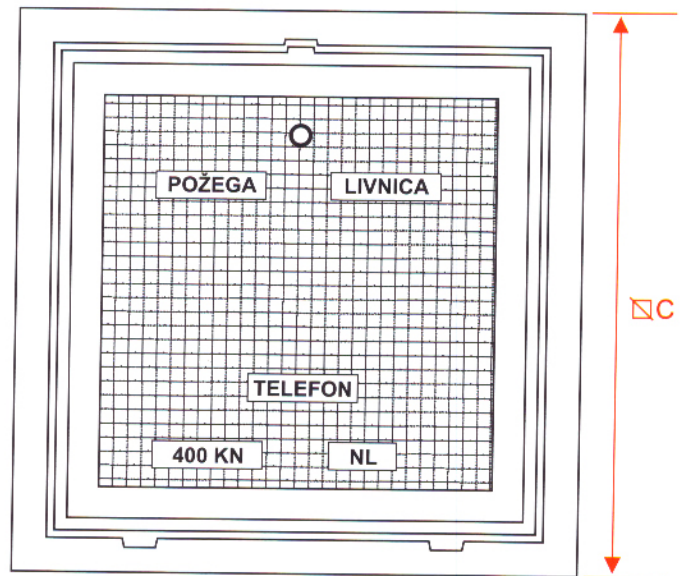
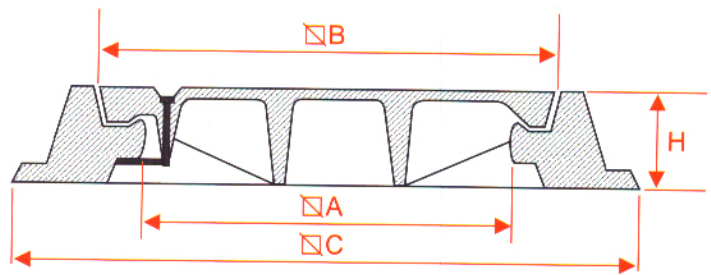
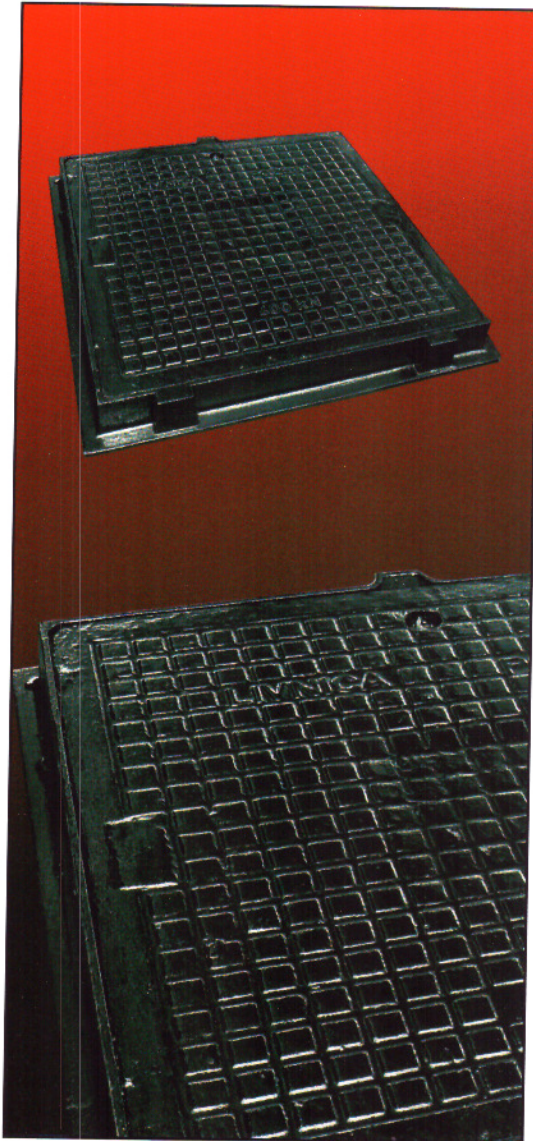
| CLASS | CAPACITY | ARTICLE | A   | B   | C   | H  |
|-------|----------|---------|-----|-----|-----|----|
| D     | 400kN    | 2384    | 400 | 415 | 515 | 80 |



**MANHOLE COVER WITH FRAME**  
**600 x 600 EN 124, DUCTILE IRON**  
**D 400, art. 20949; C 250, art 20953,**  
**B125, art. 20954**



**JEDINSTVO - FOUNDRY "POZEGA" DOO**



**WITH LOCK, NOISE REDUCTION INSERT & GASKET**

**USE :**

- \* Roads
- \* Streets
- \* Parking lots
- \* Pavements

**COVER VARIANTS**

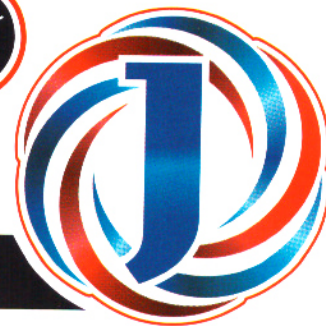
*\*Custom-made inscription*

| CLASS | CAPACITY | ARTICLE | A   | B   | C   | H  |
|-------|----------|---------|-----|-----|-----|----|
| D     | 400 kN   | 20949   | 600 | 630 | 720 | 80 |
| C     | 250 kN   | 20953   | 600 | 630 | 720 | 80 |
| B     | 125 kN   | 20954   | 600 | 640 | 700 | 45 |

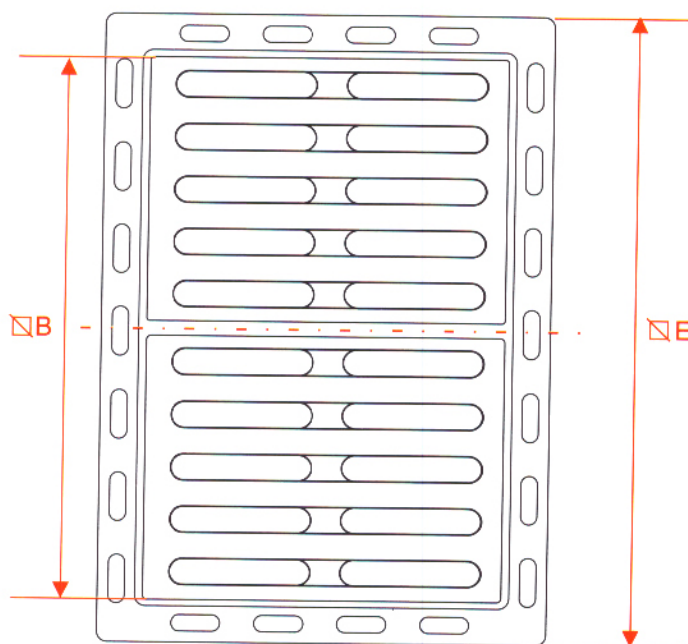
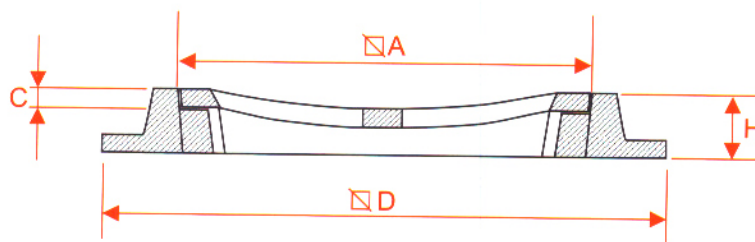
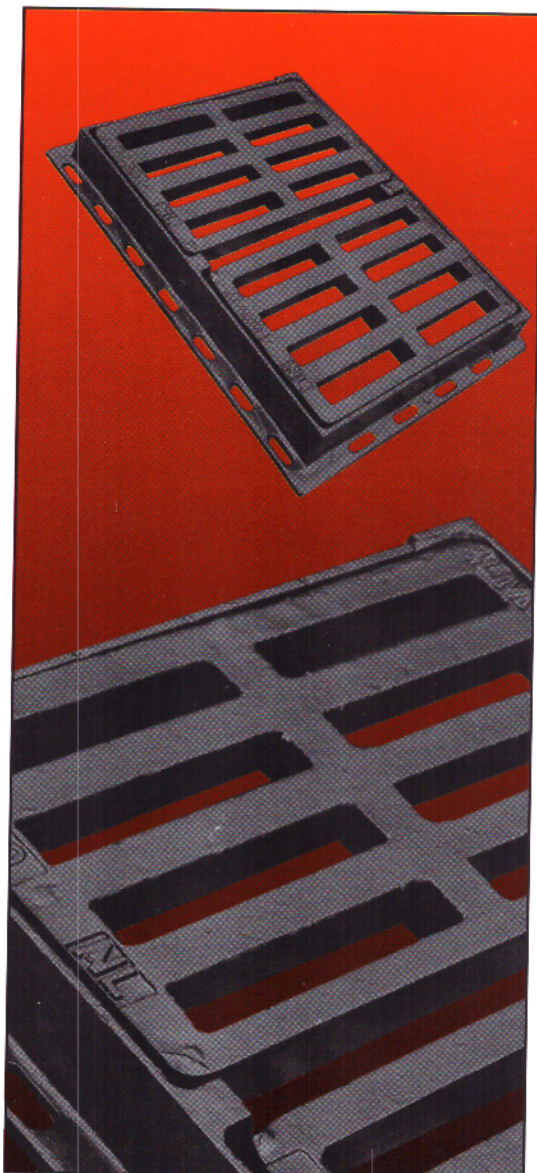


SLIVNIK UP - 3  
EN 124, NODULARNI LIV  
D 400 art. 2375

LIST BROJ  
6



JEDINSTVO - LIVNICA ..POŽEGA" DOO



PRIMENA:

- \* Putevi
- \* Ulice
- \* Parkinzi
- \* Trotoari

VARIJANTE :

- \* Ovalni
- \* Ravni

| KLASA | NOSIVOST | ARTIKAL | A   | B   | C  | D   | E   | H  |
|-------|----------|---------|-----|-----|----|-----|-----|----|
| D     | 400kN    | 2375    | 480 | 640 | 50 | 575 | 735 | 80 |

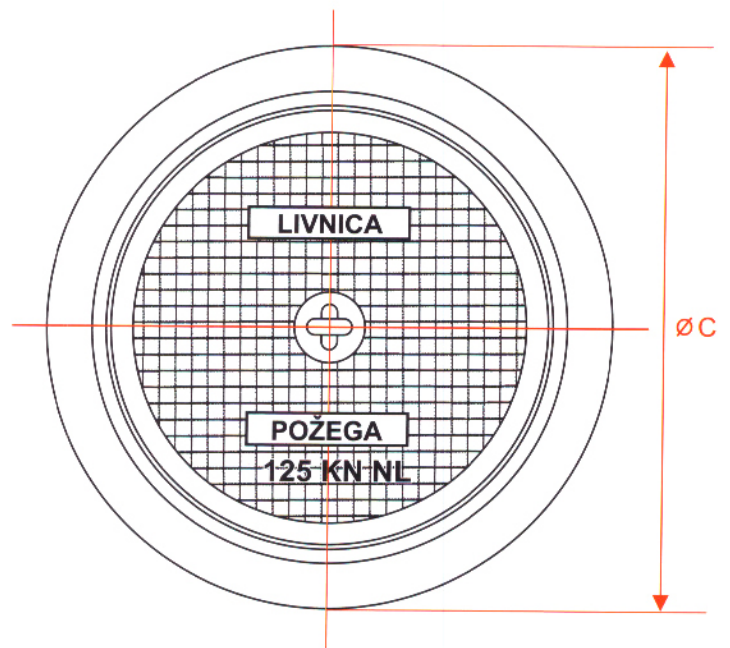
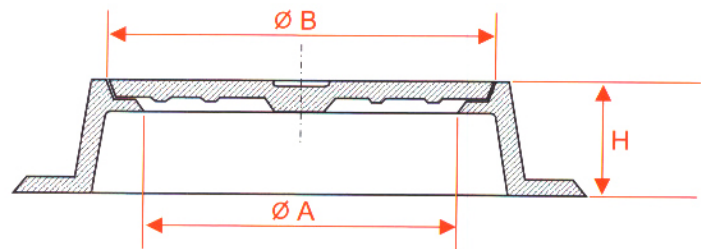
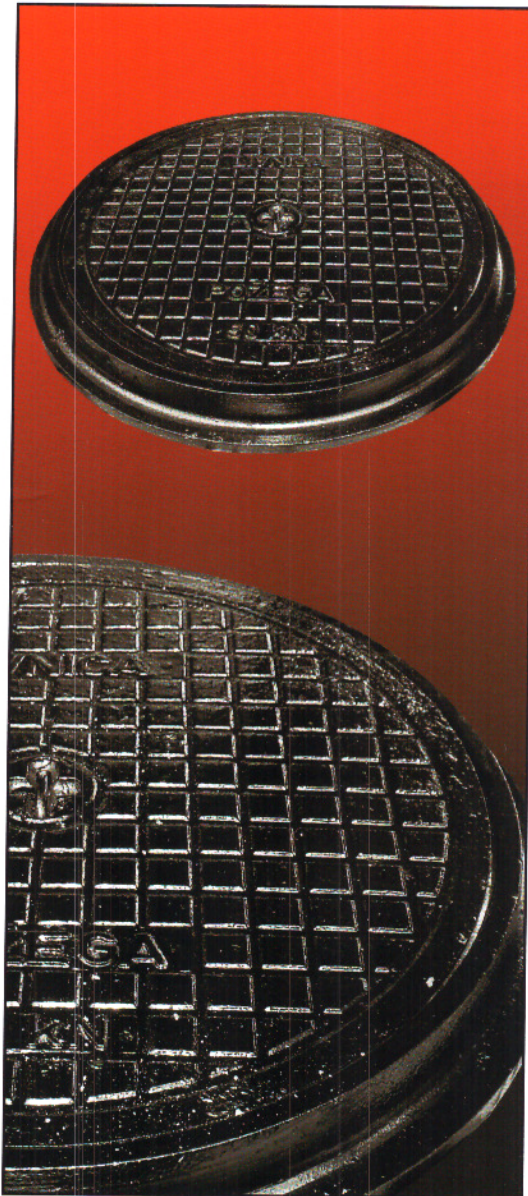


ŠAHT POKLOPAC I OKVIR,  
EN 124, SIVI LIV, A 15 art, 2085,  
B 50, art.2086, B 125, art. 2087

LIST BROJ  
**7**



**JEDINSTVO - LIVNICA „POŽEGA“ DOO**



**PRIMENA:**

\* Parkinzi \* Trotoari  
\* Zelene površine

**VARIJANTE  
POKLOPCA:**

\* Natpis po zahtevu kupca

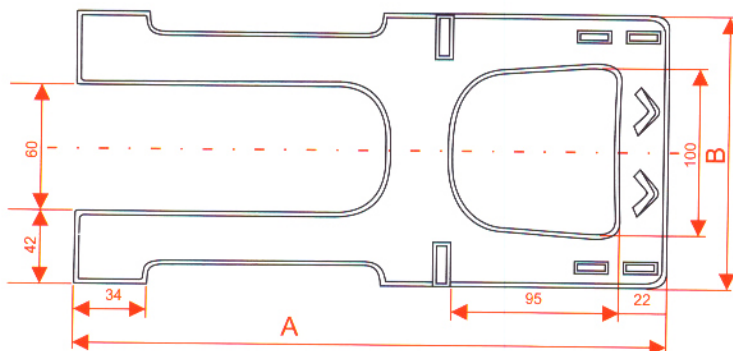
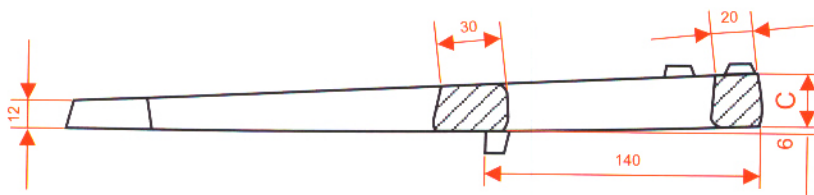
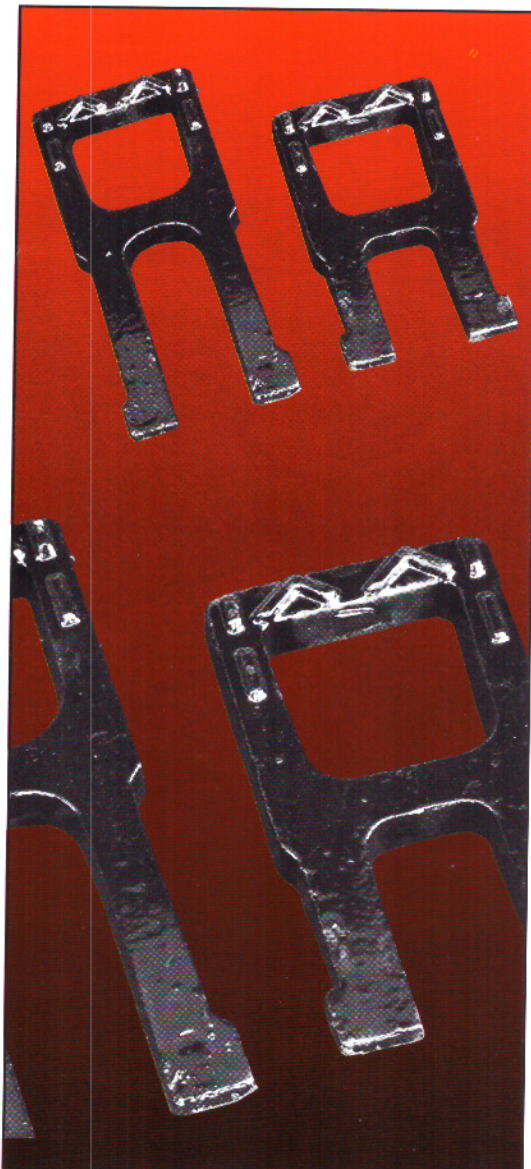
| KLASA | NOSIVOST | ARTIKAL | A   | B   | C   | H  |
|-------|----------|---------|-----|-----|-----|----|
| A     | 15 kN    | 2085    | 480 | 520 | 600 | 45 |
| B     | 50 kN    | 2086    | 510 | 545 | 640 | 55 |
| B     | 125 kN   | 2087    | 520 | 560 | 685 | 90 |



**STEP IRONS TYPE "A"  
ART. 96100 & ART. 9620**



**JEDINSTVO - FOUNDRY "POZEGA" DOO**



|              |                            |  |  |
|--------------|----------------------------|--|--|
| <b>USE :</b> | * Access to manhole shafts |  |  |
|--------------|----------------------------|--|--|

| ARTICLE | A   | B   | C  | WEIGHT (kg) |
|---------|-----|-----|----|-------------|
| 9610    | 320 | 150 | 28 | 4           |
| 9620    | 255 | 150 | 28 | 3           |

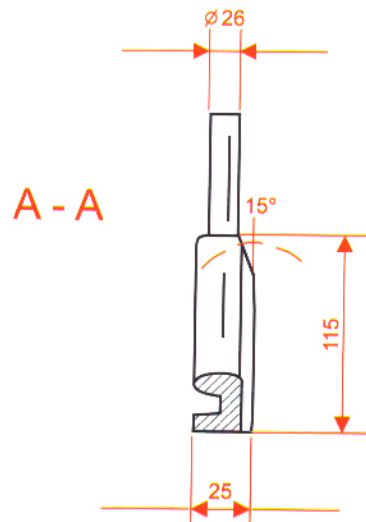
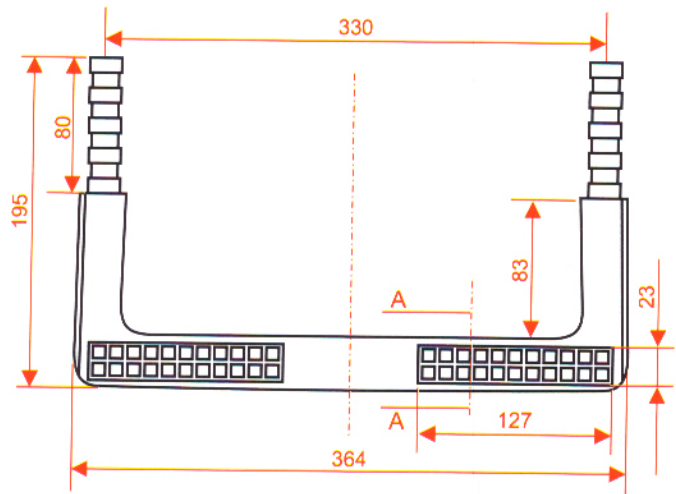
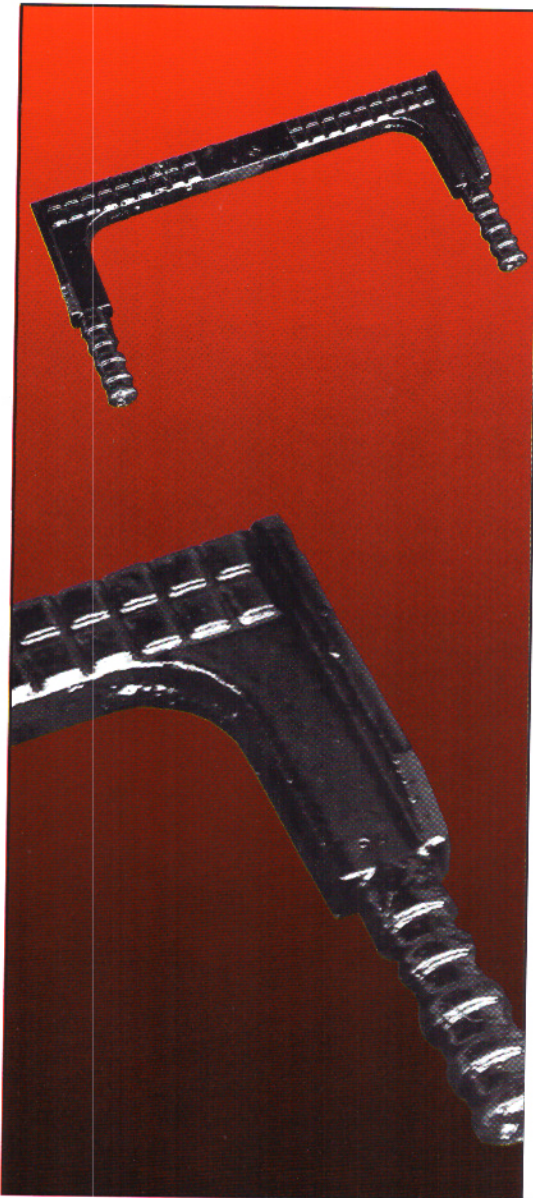




STEP IRON TYPE  
"U" ART. 9615



JEDINSTVO - FOUNDRY "POZEGA" DOO



USE :

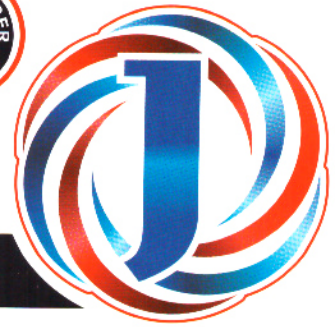
\* Access to manhole shafts

WEIGHT (kg)

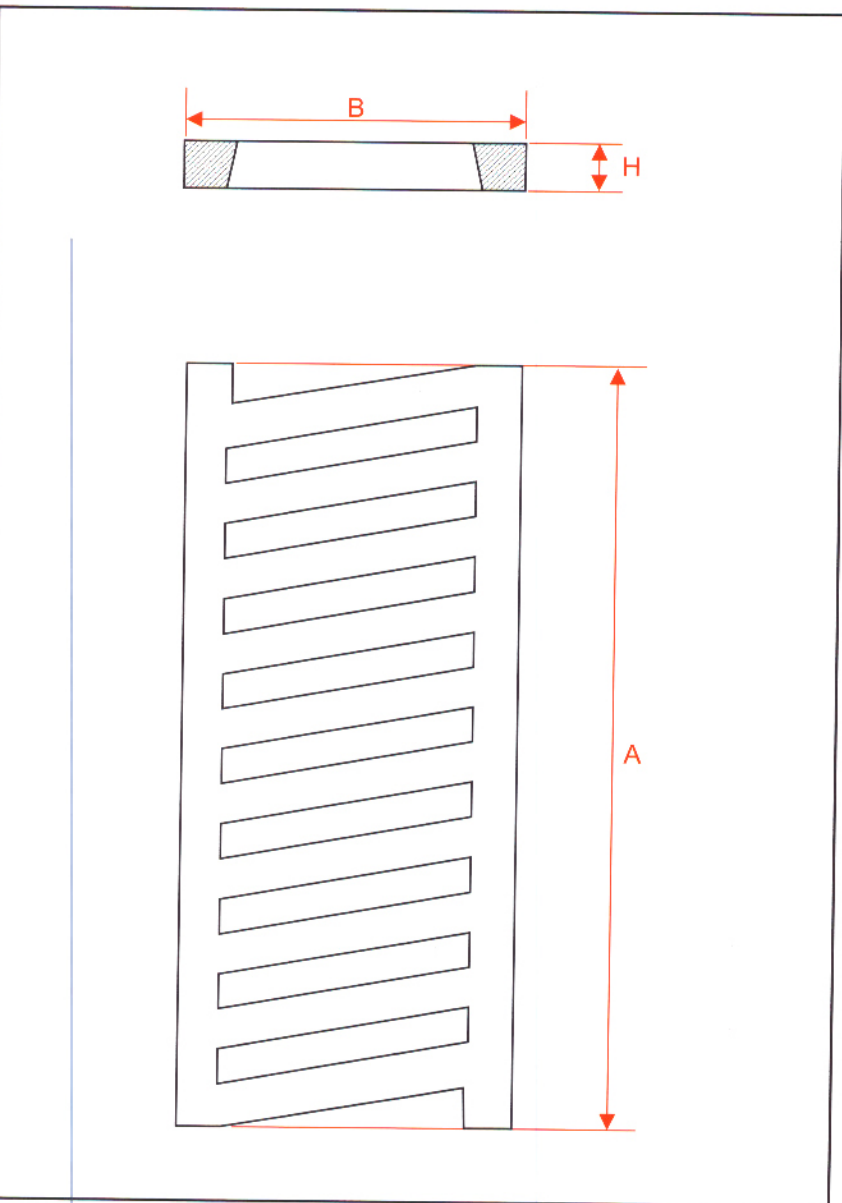
3,2 kg



**CHANNEL GRATES  
CLASS D  
DUCTILE IRON**



**JEDINSTVO - FOUNDRY "POZEGA" DOO**



\* On customers request, production process and grates of the class A, B, C in diverse sizes

| CLASS | CAPACITY | A      | B      | H     |
|-------|----------|--------|--------|-------|
| D     | 400 kN   | 770 mm | 435 mm | 63 mm |
| D     | 400 kN   | 800 mm | 295 mm | 50 mm |
| D     | 400 kN   | 500 mm | 240 mm | 40 mm |